



Kesici Takımlar İth. İhr. San. ve Tic. Ltd. Şti.

www.zeusteknik.com.tr

info@zeusteknik.com.tr



Automatic bar feeder parts



CNC Automatic lathe parts



A	Live tools for CNC lathes & Fixed knife holder
B	Headstock collets
C	Guide bushes for lathes
D	Toggle
E	Automatic bar feeder parts
F	CNC Lathe parts
G	Automatic lathe parts
H	CNC Extension rod
I	ER Collet / Waterstop collet / Tapping collet / SK collet

Contents

Live tolls for CNC lathes & Fixed knife holder

05	Front side milling straight shank rotary tool holder	13	STAR20# back axis rotary punching tool holder
05	Back straight shank rotary tool holder	13	Back rotary cutter bed
05	Back straight shank rotary tool holder	13	Front 3-axis bidirectional power seat
06	Front side milling straight shank rotary tool holder	14	Reducing sleeve
06	Back straight shank rotary tool holder	14	Reducing sleeve
06	Back straight shank rotary tool holder	14	Back drilling seat (center water outlet)
07	Front 2-axis bidirectional power seat	15	Front 3 holes/drilling seat
07	Back side milling one-way power seat	15	Front 4 holes/drilling seat
07	Back side milling one-way power seat	15	Rotary punching tool holder
08	Reducer sleeve (center outlet)		
08	Back drilling seat		
08	Reducing sleeve		
09	TSUGAMI 20# synchronous rotary guide sleeve seat		
09	TSUGAMI 20# spindle pressure cap		
09	Side milling straight shank rotary tool holder		
10	Back straight shank rotary tool holder		
10	Front 3-axis one-way power seat		
10	Front 3-axis bidirectional power seat		
11	Back drilling seat		
11	Back drilling seat		
11	Back drilling seat (center water outlet)		
12	Back drilling seat (center water outlet)		
12	Back side fixed knife holder(center water outlet)		
12	Front 3 holes/drilling seat		

Headstock collets

16	Accuracy measure
17	Collet inner hole option
18	Other collets
19	Headstock collets for lathes
21	Push-Type collets
22	Schaublin sharpening machine collet
22	Rubber collet

Guide bushes for lathes

23	Guide bushes
25	Guide bush hole options

Toggle

26	Toggle
27	CNC Toggle

Automatic bar feeder parts

29	LNS Finger chuck
31	LNS Revolving tip
33	LNS Parts
34	GIMCO (IEMCA) Finger chuck
35	GIMCO(IEMCA) Revolving tip
36	GIMCO (IEMCA) Parts
37	IKURA Finger chuck
38	IKURA Revolving tip
39	PRO Finger chuck
40	PRO Revolving tip
41	PRO Parts
42	ALPS Finger chuck
42	ALPS Revolving tip
43	BARLOAD Finger chuck
45	BARLOAD Revolving tip

CNC Lathe parts

46	Spring
47	Cone sleeve
48	CNC Lathe Parts

MYLAS Machine automatic lathe parts

49	MYLAS Machine automatic lathe parts
----	-------------------------------------

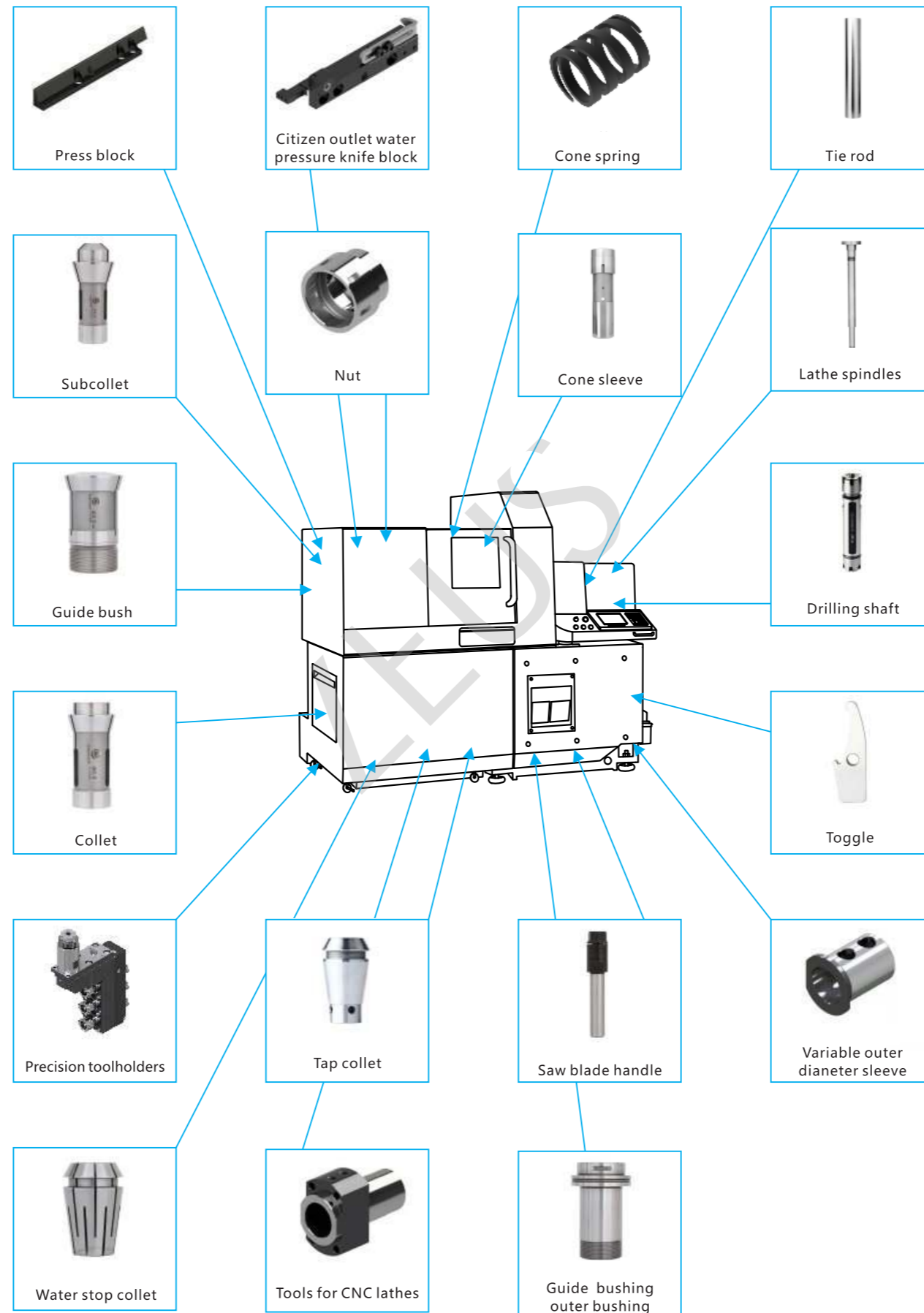
CNC Extension rod

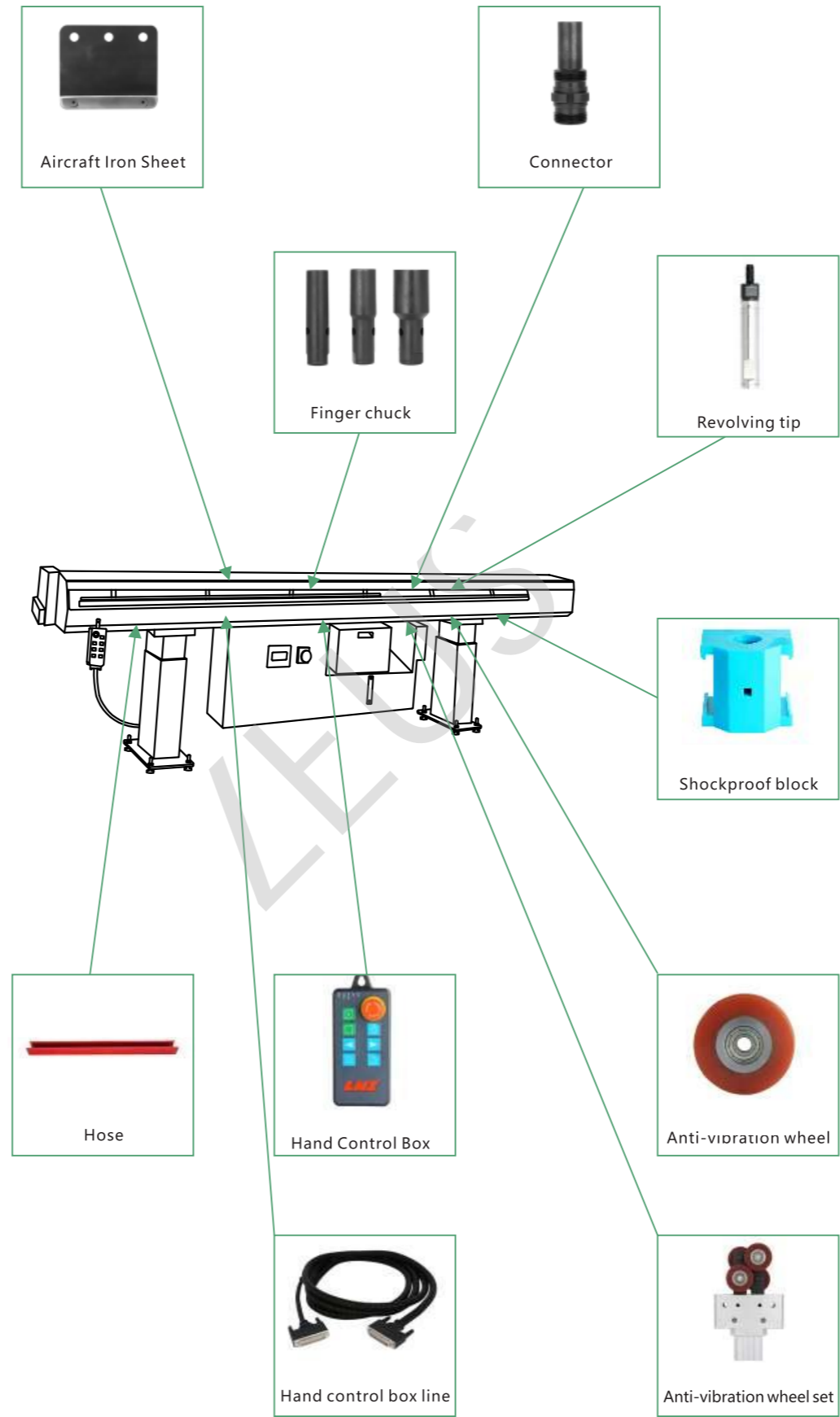
51	CNC Extension rod
----	-------------------

ER Collet/Waterstop collet/Tapping collet/SK Collet

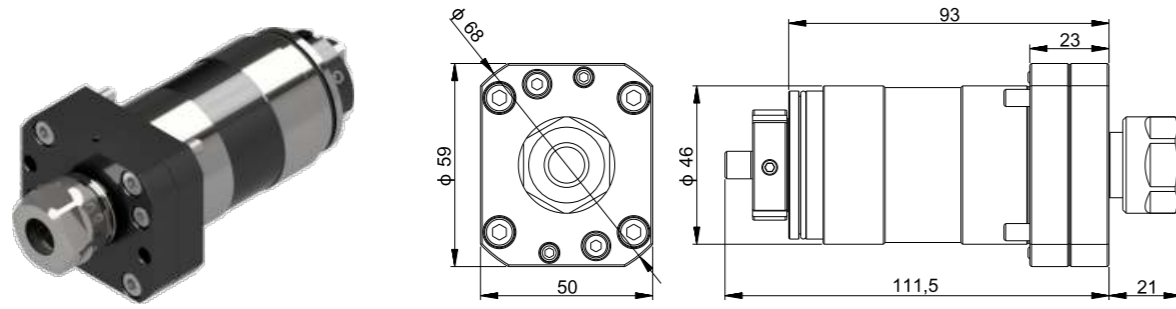
53	ER Collet
55	SK Collet
55	Tapping collet
56	Water stop collet

CNC Automatic lathe parts



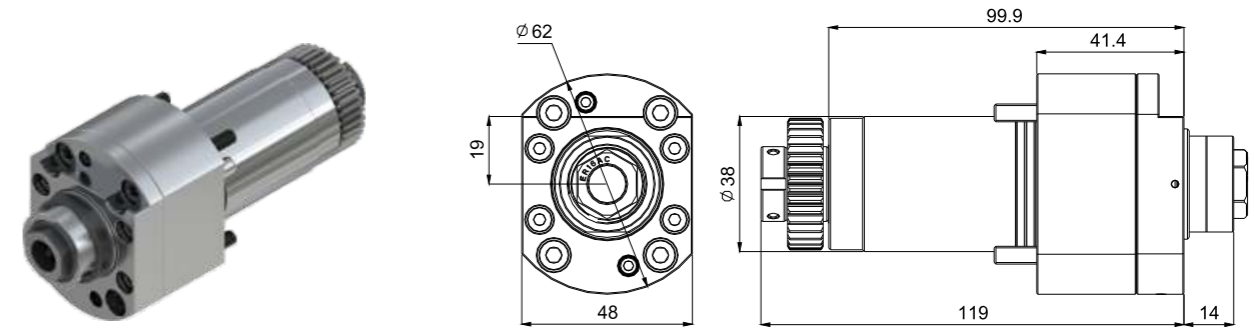


Front side milling straight shank rotary tool holder



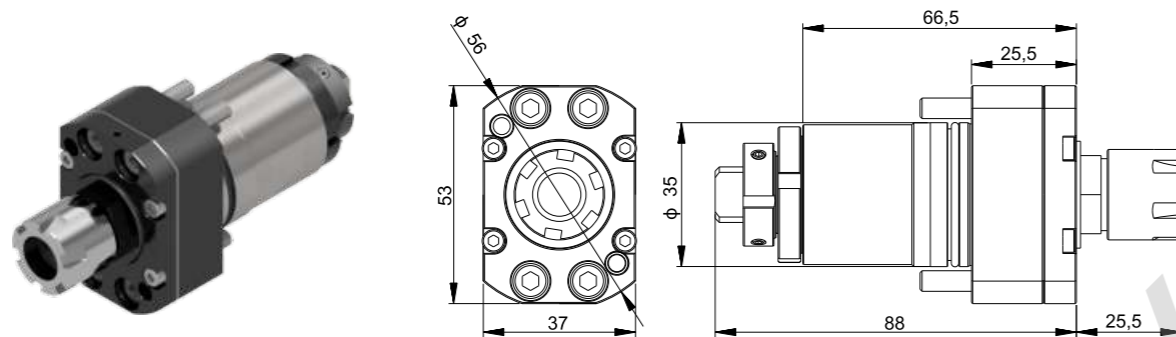
Model	TSUGAMI Number	Speed Ratio	Max rpm	Shank	Aperture	Use Collet
3268-T051	3268-T051	1:1	6000rpm	46	10.0	ER16

Front side milling straight shank rotary tool holder



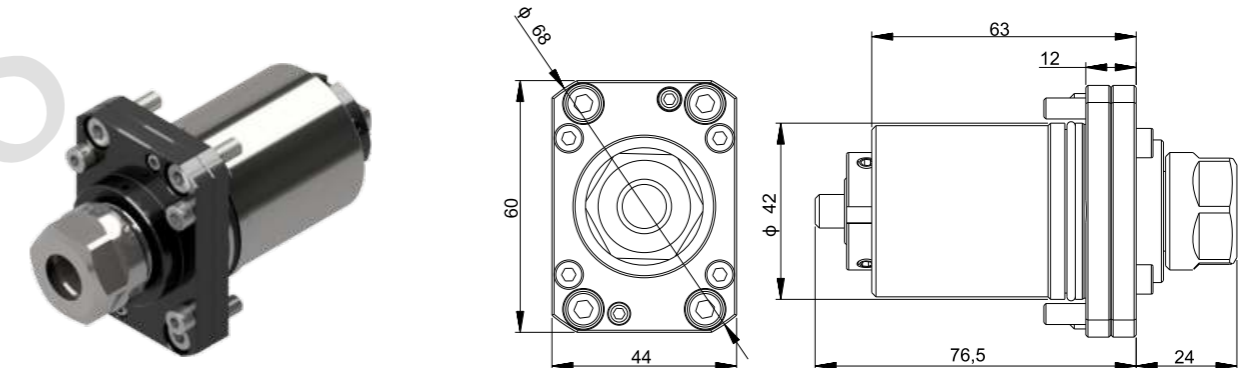
Model	TSUGAMI Number	Speed Ratio	Max rpm	Shank	Aperture	Use Collet
3281-Z74045-0100	3281-Z74045-0100	1:1	6000rpm	38	10.0	ER16

Back straight shank rotary tool holder



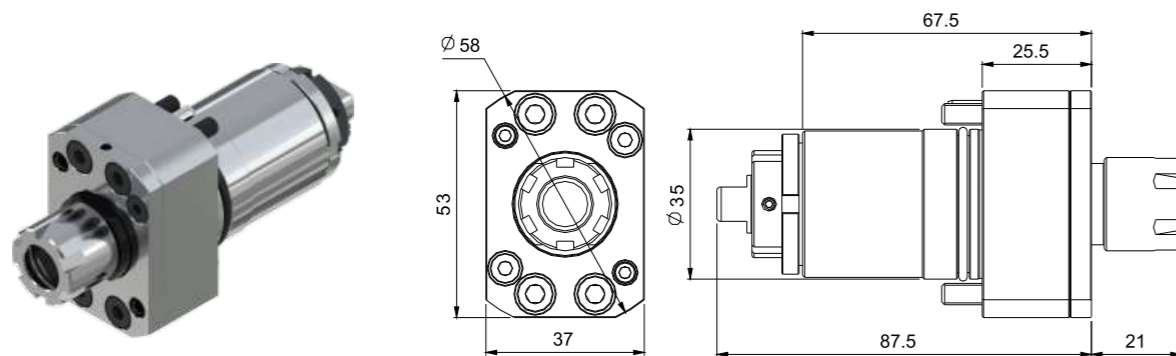
Model	TSUGAMI Number	Speed Ratio	Max rpm	Shank	Aperture	Use Collet
3281-S080	3281-S080	1:1	8000rpm	35	10.0	ER16

Back straight shank rotary tool holder



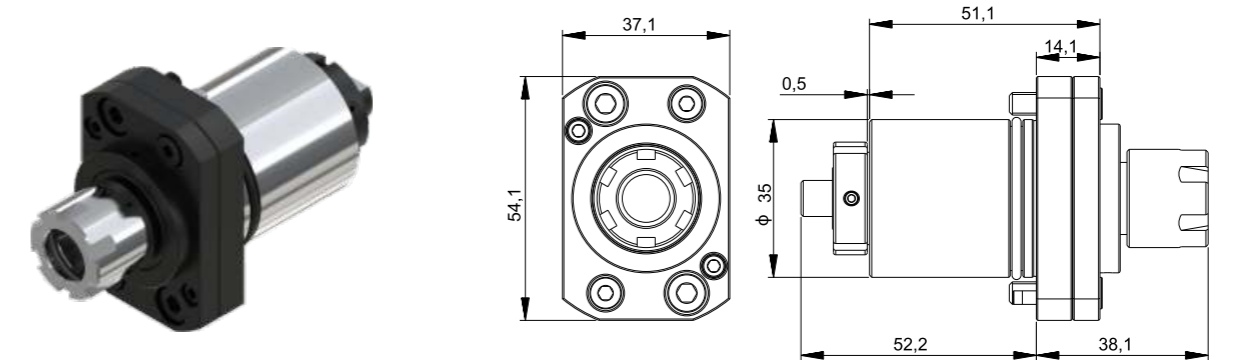
Model	TSUGAMI Number	Speed Ratio	Max rpm	Shank	Aperture	Use Collet
3282-Y041	3282-Y041	1:1	6000rpm	42	10.0	ER16

Back straight shank rotary tool holder



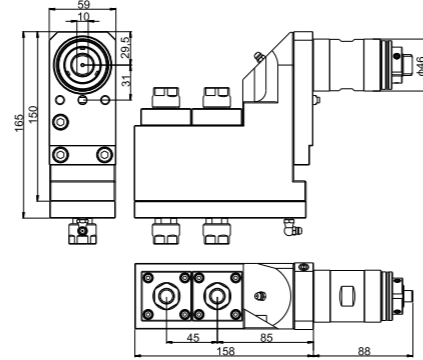
Model	TSUGAMI Number	Speed Ratio	Max rpm	Shank	Aperture	Use Collet
3281-Z79098	3281-Z79098	1:1	8000rpm	35	10.0	ER16

Back straight shank rotary tool holder



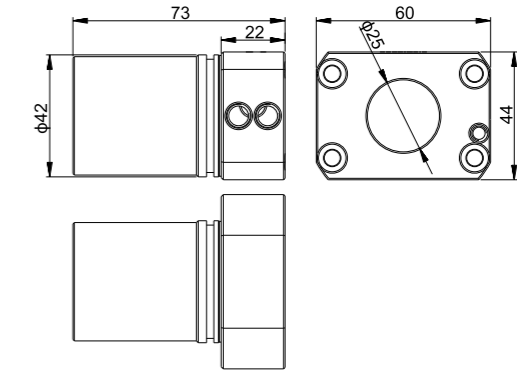
Model	TSUGAMI Number	Speed Ratio	Max rpm	Shank	Aperture	Use Collet
3220-Y7072	3220-Y7072	1:1	6000Rpm	35	10.0	ER16

Front 2-axis bidirectional power seat



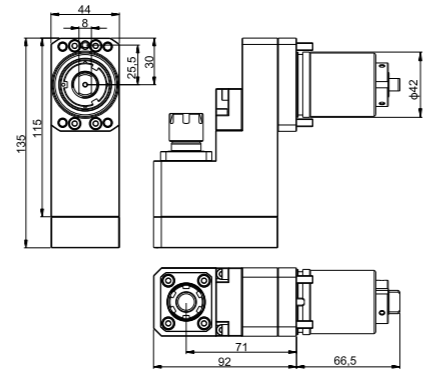
Model	TSUGAMI Number	Speed Ratio	Max rpm	Shank	Aperture	Use Collet
3282-Y901	3282-Y901	1:1	6000rpm	46	10.0	ER16

Reducer sleeve (center outlet)



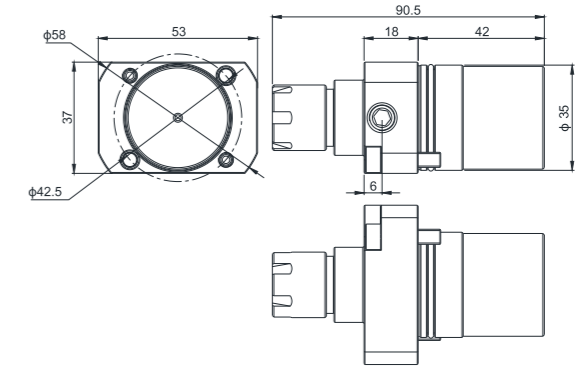
Model	TSUGAMI Number	Speed Ratio	Max rpm	Shank	Aperture	Use Collet
3282-Y212	3282-Y212	/	/	42	25.0	/

Back side milling one-way power seat



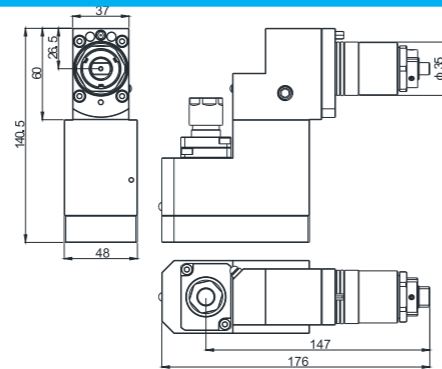
Model	TSUGAMI Number	Speed Ratio	Max rpm	Shank	Aperture	Use Collet
3290-Y041	3290-Y041	1:1	6000Rpm	42	10.0	ER16

Back drilling seat



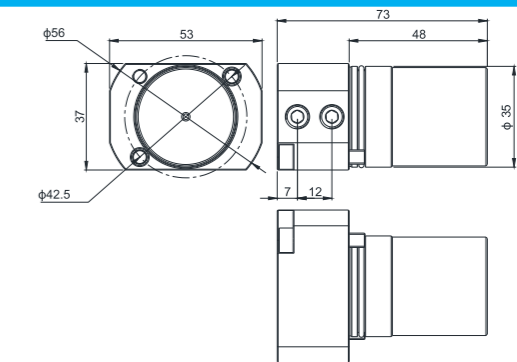
Model	TSUGAMI Number	Speed Ratio	Max rpm	Shank	Aperture	Use Collet
3282-Z71051-9010	3282-Z71051-9010	/	/	35	10.0	ER16

Back side milling one-way power seat



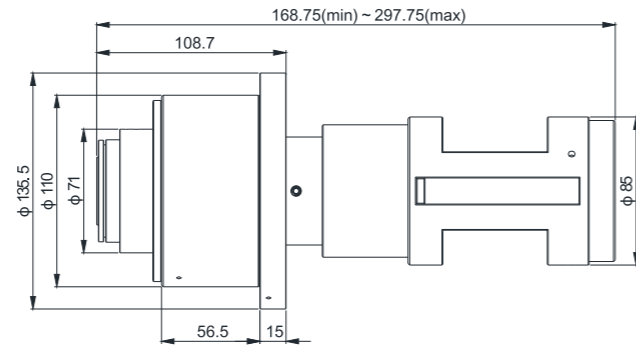
Model	TSUGAMI Number	Speed Ratio	Max rpm	Shank	Aperture	Use Collet
3281-Y461-9010	3281-Y461-9010	1:1	8000rpm	35	10.0	ER16

Reducing sleeve



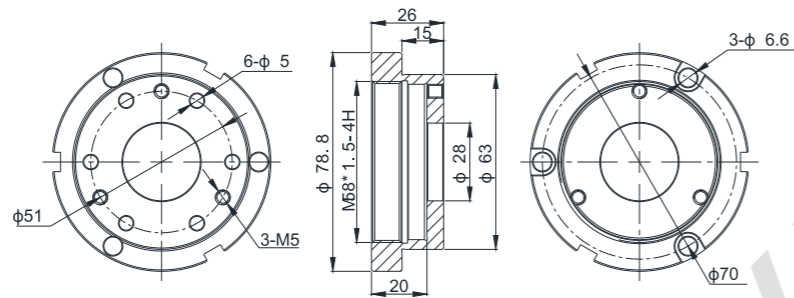
Model	TSUGAMI Number	Speed Ratio	Max rpm	Shank	Aperture	Use Collet
3281-Z79055-0302	3281-Z79055-0302	/	/	35	20.0	/

TSUGAMI 20# synchronous rotary guide sleeve seat



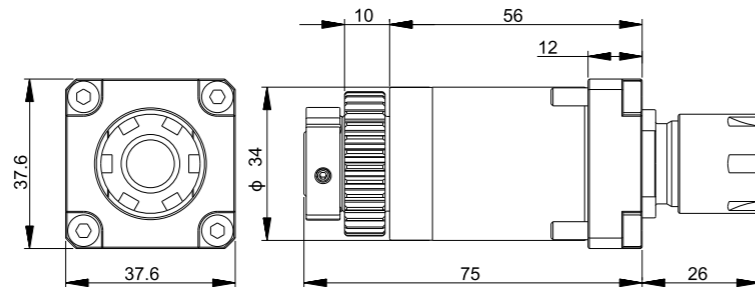
Model	Outer Diameter
	110

TSUGAMI 20# spindle pressure cap



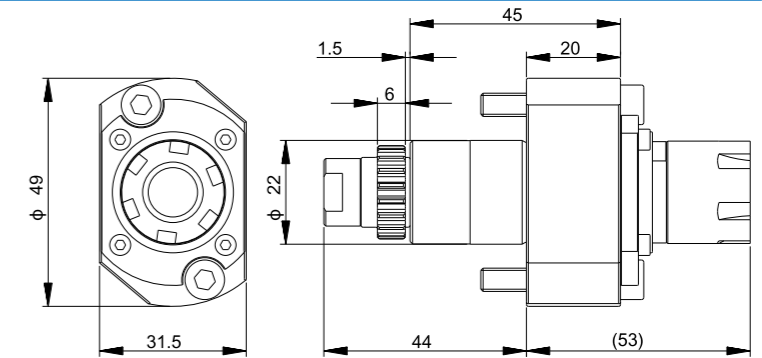
Model	Thread	Aperture
	M58x1.5-4H	28.0

Side milling straight shank rotary tool holder



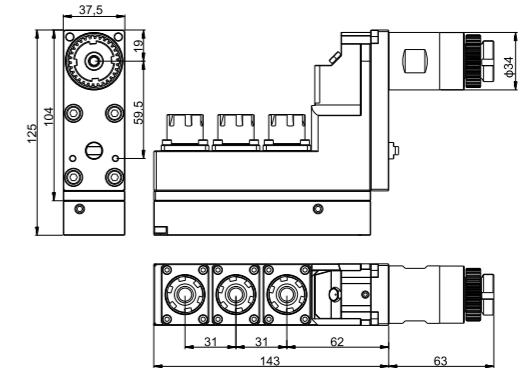
Model	STAR Number	Speed Ratio	Max rpm	Shank	Aperture	Use Collet
33150	33150	1:1	8000rpm	34	10.0	ER16

Back straight shank rotary tool holder



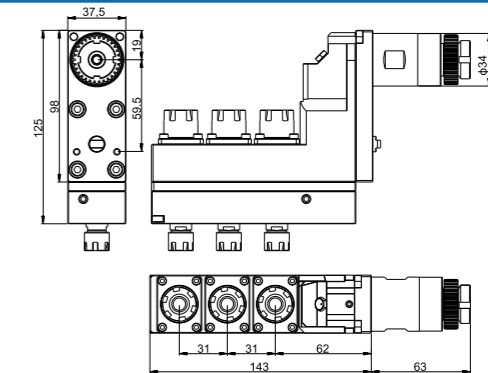
Model	STAR Number	Speed Ratio	Max rpm	Shank	Aperture	Use Collet
57161	57161	1:1	6000rpm	22	10.0	ER16

Front 3-axis one-way power seat



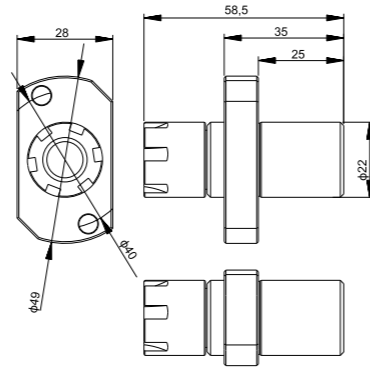
Model	STAR Number	Speed Ratio	Max rpm	Shank	Aperture	Use Collet
66151	66151	1:1	6000rpm	34	10.0	ER16

Front 3-axis bidirectional power seat



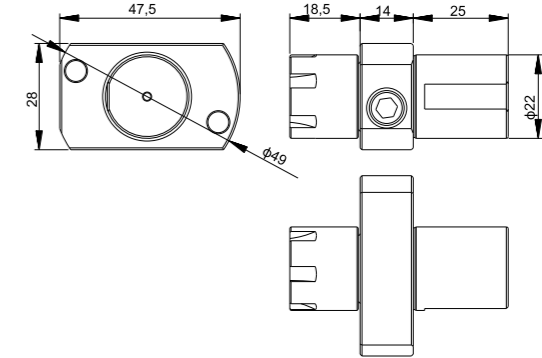
Model	STAR Number	Speed Ratio	Max rpm	Shank	Aperture	Use Collet
67161	67161/OM155	1:1	6000Rpm	34	10.0/7.0	ER16/ER11

Back drilling seat



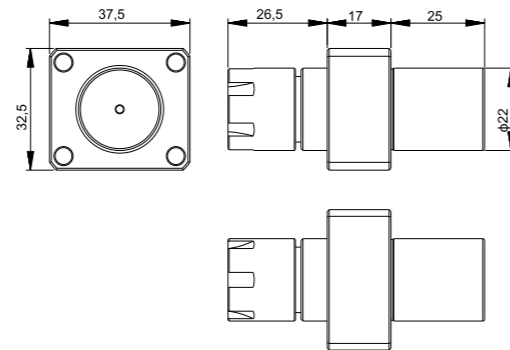
Model	STAR Number	Speed Ratio	Max rpm	Shank	Aperture	Use Collet
54121-01	54121-01	/	/	22	10.0	ER16

Back drilling seat (center water outlet)



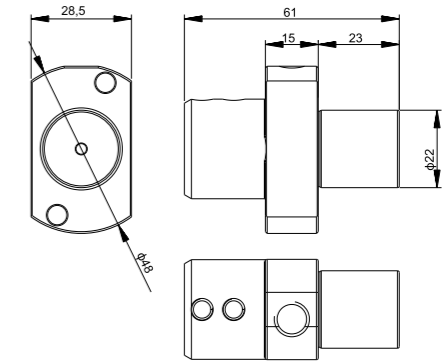
Model	STAR Number	Speed Ratio	Max rpm	Shank	Aperture	Use Collet
67127	67127	/	/	22	10.0	ER16

Back drilling seat



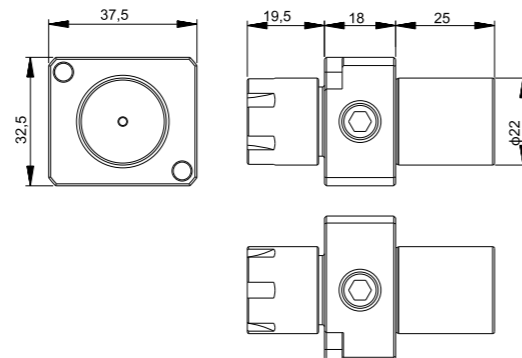
Model	STAR Number	Speed Ratio	Max rpm	Shank	Aperture	Use Collet
0R122	0R122	/	/	22	10.0	ER16

Back side fixed knife holder (center water outlet)



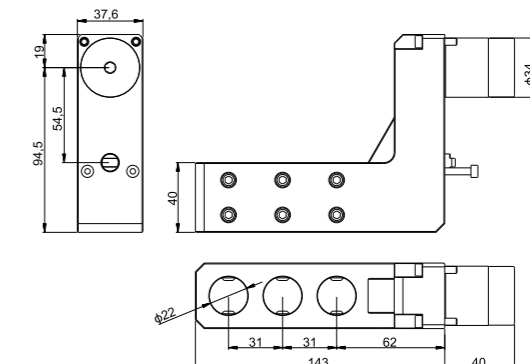
Model	STAR Number	Speed Ratio	Max rpm	Shank	Aperture	Use Collet
B2E22	B2E22	/	/	22	3/4/5/6/8/10/12/16	/

Back drilling seat (center water outlet)



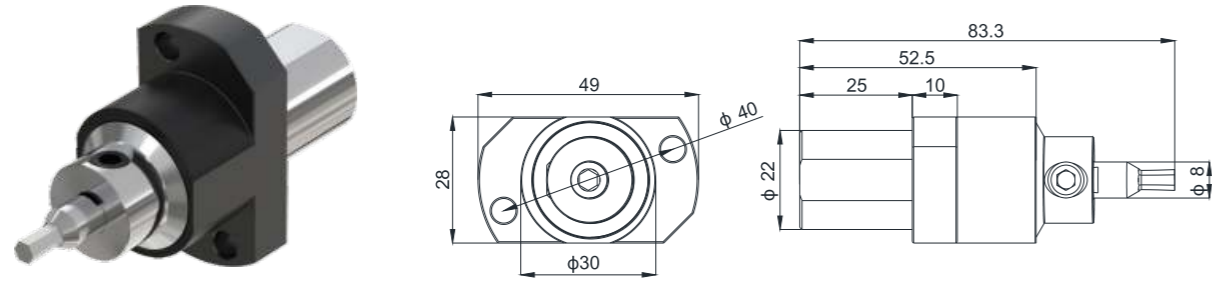
Model	STAR Number	Speed Ratio	Max rpm	Shank	Aperture	Use Collet
0R123	0R123	/	/	22	10.0	ER16

Front 3 holes/drilling seat



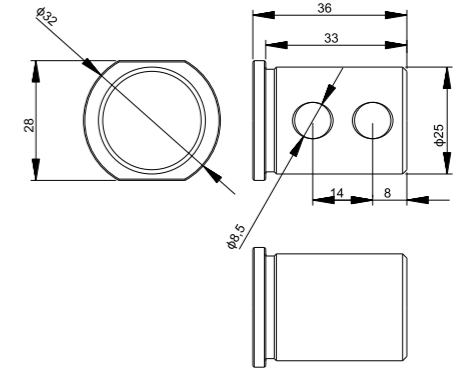
Model	STAR Number	Speed Ratio	Max rpm	Shank	Aperture	Use Collet
STAR34322	STAR34322	/	/	34	22	/

STAR20# back axis rotary punching tool holder



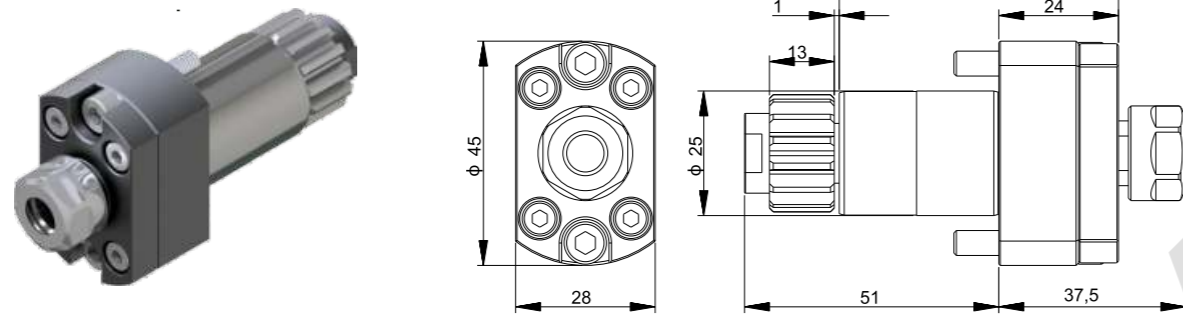
Model	Shank
STAR20#	22

Reducing sleeve



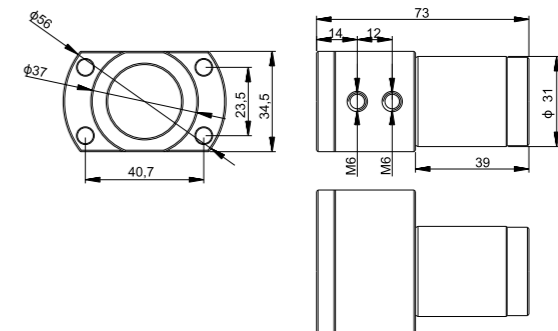
Model	CITIZEN Number	Speed Ratio	Max rpm	Shank	Aperture	Use Collet
SAU819	SAU819	/	/	25	19.05	/

Back rotary cutterbed



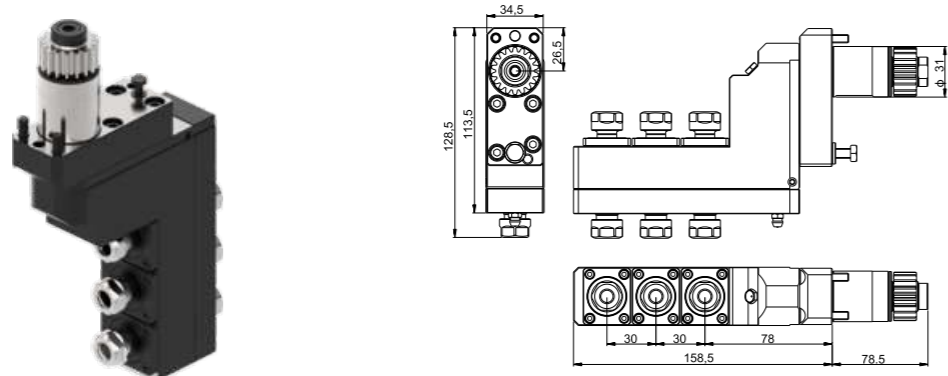
Model	CITIZEN Number	Speed Ratio	Max rpm	Shank	Aperture	Use Collet
MSC507	MSC507	1:1	10000rpm	25	7.0	ER11

Reducing sleeve



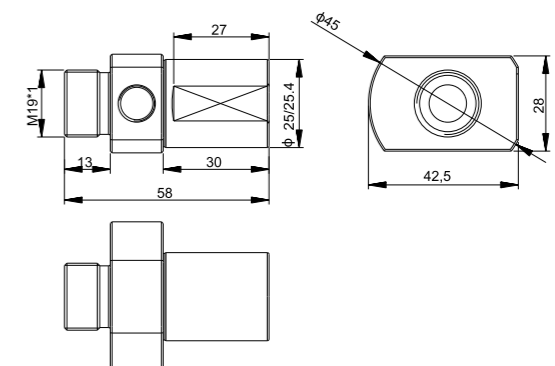
Model	CITIZEN Number	Speed Ratio	Max rpm	Shank	Aperture	Use Collet
SAU825	SAU825	/	/	31	25.4	/

Front 3-axis bidirectional power seat



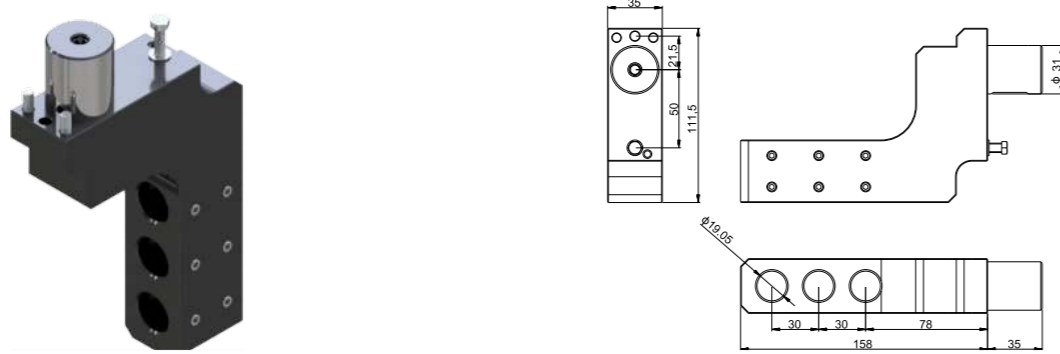
Model	CITIZEN Number	Speed Ratio	Max rpm	Shank	Aperture	Use Collet
BSE707	BSE707	1:1	6000rpm	31	7.0	ER11

Back drilling seat (center water outlet)



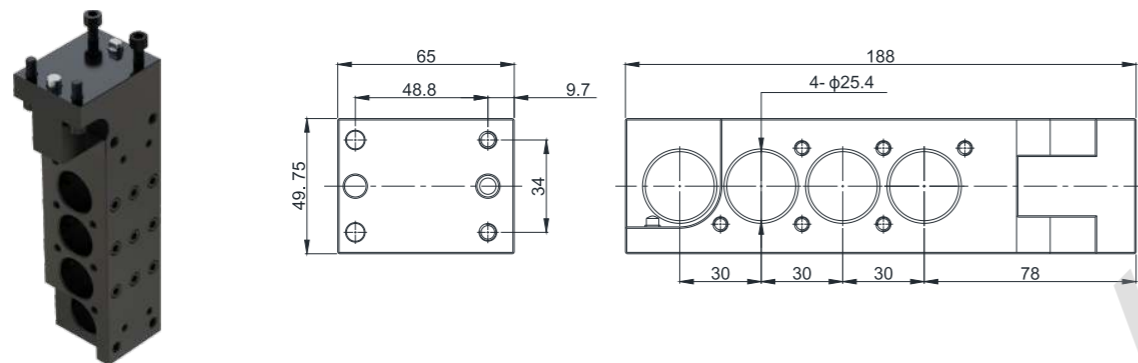
Model	CITIZEN Number	Speed Ratio	Max rpm	Shank	Aperture	Use Collet
GDE1025/GDE10254	/	/	/	25/25.4	10.0	/

Front 3 Holes/drilling seat



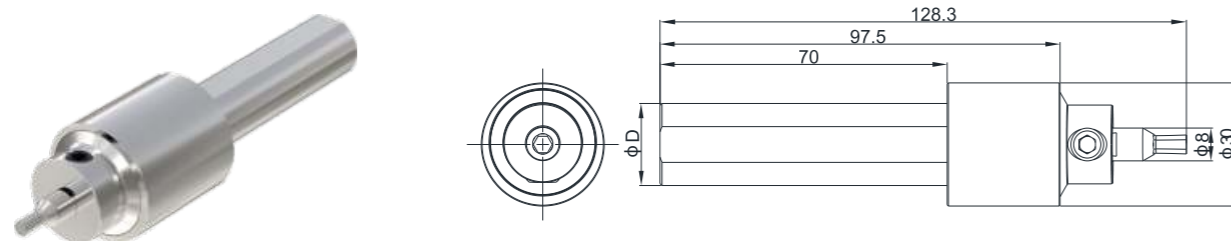
Model	CITIZEN Number	Speed Ratio	Max rpm	Shank	Aperture	Use Collet
GDF1207	GDF1207	/	/	31	19.05	/

Front 4 Holes/drilling seat



Model	CITIZEN Number	Speed Ratio	Max rpm	Shank	Aperture	Use Collet
GDF1801	GDF1801	/	/	/	25.4	/

Rotary punching tool holder



Model	Shank
	19.05/20/22/25/25.4

Accuracy measure



Collet round

D	Outlet space	(L)	AAA!
1.0~1.5	0.002	6	0.003
1.5~3.0	0.002	10	0.003
3.0~6.0	0.002	16	0.003
6.0~13.0	0.002	25	0.003
14.0~20.0	0.002	30	0.005

Collet round

D	Outlet space	(L)	AA
1.0~1.5	0.002	6	0.008
1.5~3.0	0.002	10	0.008
3.0~6.0	0.002	16	0.008
6.0~9.9	0.002	25	0.008
10~20.0	0.002	30	0.012


Gudie bush round

D	Outlet space	(L)	AAA
1.0~1.5	0.002	6	0.003
1.5~3.0	0.002	10	0.003
3.0~6.0	0.002	16	0.003
6.0~13.0	0.002	25	0.003
14.0~20.0	0.002	30	0.005

Gudie bush round

D	Outlet space	(L)	AA!
1.0~1.5	0.002	6	0.005
1.5~3.0	0.002	10	0.005
3.0~6.0	0.002	16	0.005
6.0~9.9	0.002	25	0.005
10~20.0	0.002	30	0.008

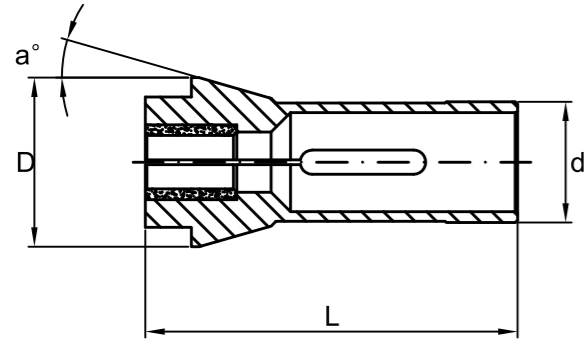
Collet inner hole option

 CC01 Smooth	 CC02 Grooves	 CC03 Powerful	 CC04 Extended subcollet
 CC05 Square	 CC06 Rectangle	 CC07 Hexagon	 CC08 Special shape
 CC09 With seal	 CC10 V groove	 CC11 S-shaped groove	 CC12 Vertebral positioning groove
 CC13 Small d positioning groove	 CC14 Jump	 CC15 POM	 CC16 Copper bushing with inner hole at tail end

Other collets

 Elastic change outer diameter collet	 Elastic change outer diameter collet	 Customized collet	 Customized collet
 Emergency collet	 Internal expansion collet	 Internal expansion collet	 Internal expansion collet
 Internal expansion collet	 Pneumatic diaphragm claw	 Pneumatic diaphragm claw	 Pneumatic diaphragm claw
 Swiss-made pen machine cutter head	 Special double-sided clamping collet	 Jumping collet	 Copper collet

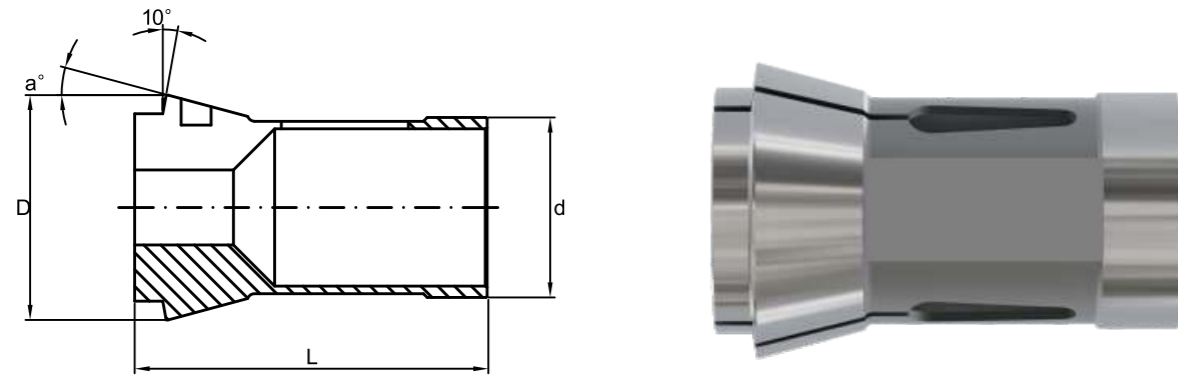
Headstock collets for lathes



Machines	Type	Item No	d	L	D	Article No				
CITIZEN	R04	3204	ø 8.0	36	ø 11.5					
	R07,D/F/G/L-10	3910	ø 15.0	64	ø 21.0	F15/580	120E	TF15	40.003	
	B12,F12	3212	ø 16.0	64	ø 21.0					
	D/E/F/L/M-16,E/F/L/M-20	3720	ø 25.0	77	ø 35.0	D25/64	145E	TF25		
	L16/20,F16/20,M16,G20,E20	3216	ø 26.0	67	ø 36.0					511.001
	F25,L25,E25,E25J	3225	ø 30.0	78	ø 42.0					
	L32,M32,E32,G32	3232	ø 37.0	92	ø 47.0					
STAR	SW7,SW10,JNC10,RNC10,SNC10	3910	ø 15.0	64	ø 21.0	F15/580	120E	TF15	40.003	
	SE12,S13,VNC12,SJ15	3512	ø 18.0	64	ø 25.0					
	SB16	3616	ø 20.0	67	ø 26.0					
	RNC16,SE16,SR16,SH16	3516	ø 20.0	67	ø 28.0	F20/87	138E	TF20	40.004	
	JNC16, VNC20	3520	ø 24.0	65.5	ø 32.0					
	KNC16/20,SR20,VNC20	3720	ø 25.0	77	ø 35.0					
	JNC16, ZNC16,VNC20	3216	ø 26.0	67	ø 36.0					
	KJR25,SCN25	3725	ø 30.0	80	ø 42.0	F30/63	157E	TF30	40.006	
	JNC32/25,VNC32,MR32	3932	ø 37.0	92	ø 47.0					
TSUGAMI	T7,BOO7,BM07	3707	ø 10.0	46	ø 16.0	F10/1178	111E		140.001	
	L10	3710	ø 14.0	47	ø 20.0					
	NT-11,NP-11	3910	ø 15.0	64	ø 21.0	F15/580	120E	TF15	40.003	
	BO12	3616	ø 20.0	67	ø 26.0				S16-HMS	
	NP-17,NP-16,NT-17	3717	ø 23.8	62	ø 28.0				S20-HM	
	NP-20,BS20,BO18,BS18	3721	ø 28.0	77	ø 35.0					
	BA-26L	3726	ø 33.0	80	ø 40.0				S25-HM	
	S-25,BS-26	3725	ø 30.0	80	ø 42.0					
	NP-32	3232	ø 37.0	92	ø 47.0					
	BH38	3738	ø 43.0	92	ø 53.0	F43		TF43	511.024	
	BH38(SUB)	3739	ø 48.0	100	ø 54.0	F48		BS38	511.028	

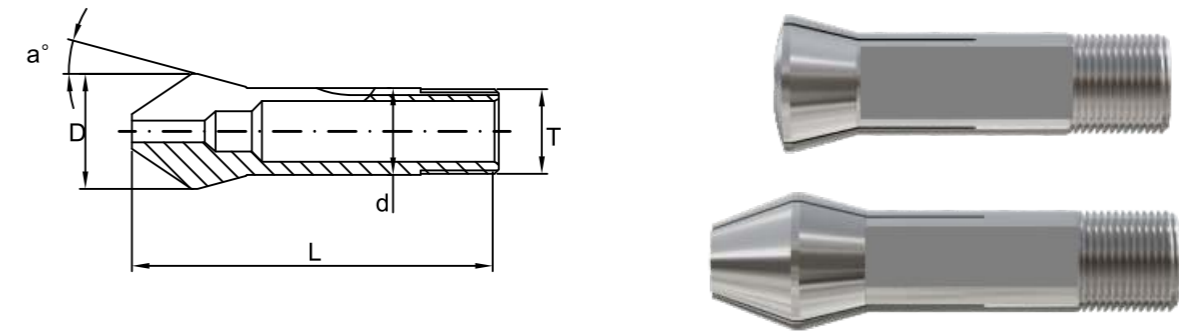
Machines	Type	Item No	d	L	D	Article No				
NOMURA	NSP8410,NSP8420	3608	ø 12.0	58	ø 18.0					
	NSP1053,NN10K	3610	ø 16.0	50.5	ø 22.0				90.015	
	NSP1653,NSP1253	3616	ø 20.0	68	ø 26.0					
	NN20KF	3216	ø 26.0	67	ø 36.0				511.001	
	P-23	3623	ø 29.0	72	ø 39.0					
	NNCP2553,NN25K	3625	ø 32.0	84.5	ø 42.0					
TORNOS	M4,T4,TV	3904	ø 8.0	42	ø 12.0	F8/577	101E	TF8	40.001	
	M7	3907	ø 10.0	47.5	ø 15.5	F10/86	109E	TF10	40.002	
	MS7	3108	ø 13.0	64	ø 19.0	F13/357	116E	TF13	40.016	
	R10,M10	3910	ø 15.0	64	ø 21.0	F15/580	120E	TF15	40.003	
	R125	3912	ø 16.0	64	ø 21.0		1212E	TF16	40.012	
	R16,M15	3516	ø 20.0	67	ø 28.0	F20/87	138E	TF20	40.004	
	RR20,R20,M20	3920	ø 25.0	77	ø 35.0	F25/64	145E	TF25	40.005	
	M25	3925	ø 30.0	80	ø 42.0	F30/63	157E	TF30	40.006	
	MR32,TBM32	3932	ø 37.0	92	ø 47.0	F37/740	1536E	TF37	40.008	
	DECO 7	3907	ø 10.0	47.5	ø 15.5	F10/86	109E	TF10	40.002	
	DECO 10	3910	ø 15.0	64	ø 21.0	F15/580	120E	TF15	40.003	
	DECO 13	3912	ø 16.0	64	ø 21.0		1212E	TF16	40.012	
	DECO 13/16	3816	ø 20.0	54	ø 26.0	F20/201	136E	F20/201	225.003	
DECO 20, DELTA 12/20	3920	ø 25.0	77	ø 35.0	F25/64	145E	TF25	40.005		
DECO 26, SIGMA 20	3826	ø 30.0	65	ø 38.0	F30/101	1446E	O161	90.009		
DECO 32	3932	ø 37.0	92	ø 47.0	F37/740	1536E	TF37	40.008		
HANWHA	HANEX11,SL12	3912	ø 16.0	64	ø 21.0					
	HANEX17,ML18-G	2215	ø 22.0	55	ø 30.0	F22/71	140E			
	HANEX20	3920	ø 25.0	77	ø 35.0	F25/64	145E	TF25		
	HANEX25	3425	ø 32.0	79	ø 45.0					
	SL-32	3932	ø 37.0	92	ø 47.0	F37/740	1536E	TF37		
	SL-35	3435	ø 40.0	92	ø 49.0					
	SL-35HP-II,SUB	3436	ø 40.0	92	ø 50.0					
	SL-38HP-II	3438	ø 44.0	94	ø 52.0					
HARDINGE	SL,ST220	3920	ø 25.0	77	ø 35.0	F25/64	145E	TF25		
	ST225	3925	ø 30.0	80	ø 42.0	F30/63	157E	TF30		
DMG	GMC20	3320	ø 25.0	77	ø 35.0					
POLYGYM	DIAMOND 12,12CS	3212	ø 16.0	64	ø 21.0					
	DIAMOND 16,16CS	3616	ø 20.0	68	ø 26.0					
	DIMOAND 20,20B,20CS,20CSB	3216	ø 26.0	67	ø 36.0				511.001	
	DIMOAND 25,25B,25CS,25CSB	3225	ø 30.0	78	ø 42.0					
	DIMOAND 32,32b,32CS,32CSB	3232	ø 37.0	92	ø 47.0					
DIMOAND SY-42	2242	ø 48.0	94	ø 60.0	F48/81	173E	TF48	231.009		
JINN FA	JSL-20	3721	ø 28.0	77	ø 35.0					
	JSL-26	3726	ø 33.0	80	ø 40.0					
	JSL-32	3232	ø 37.0	92	ø 47.0				511.001	
WANG TZYU	SL-1693	3616	ø 20.0	68	ø 26.0					
	SL-2596	3225	ø 30.0	78	ø 42.0					
	SL-3295	3232	ø 37.0	92	ø 47.0					

Push-Type collets



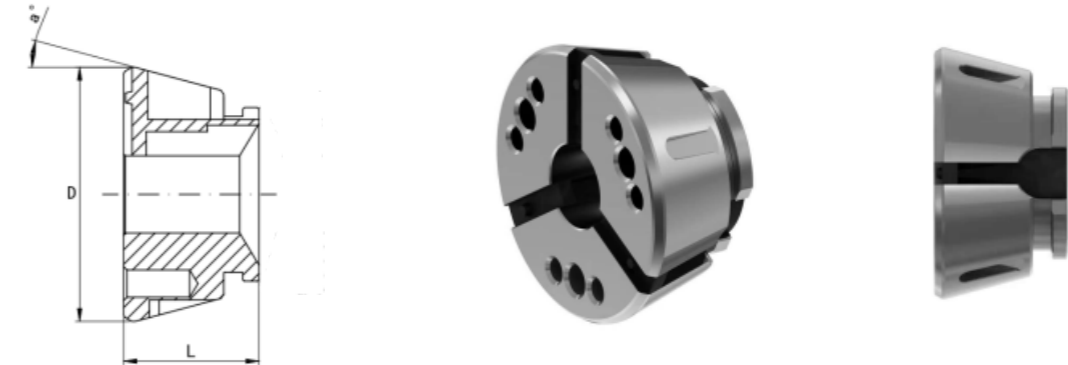
Machines	Type	Item No	d	L	D	DIN No	Schau No	NEU No
MIYANO	BNC20	1721	ø 27.0	73	ø 38.0			
	BNC34	1734	ø 44.4	108	ø 54.2			
	148E	1220	ø 28.0	70	ø 38.0		F28/39	231.004
	161E	1225	ø 32.0	75	ø 45.0	6343-32	F32/221	231.005
	164E	1232	ø 38.1	108	ø 49.0		F38/72	
	171E	1236	ø 42.0	94	ø 55.0	6343-42	F42/99	231.007
	173E	1242	ø 48.0	94	ø 60.0	6343-48	F48/81	231.009
	177E	1252	ø 58.0	94	ø 70.0			
CC	洽群32#(164E)	1232	ø 38.1	108	ø 49.0		F38/72	
	洽群36#(171E)	1236	ø 42.0	94	ø 55.0	6343-42	F42/99	231.007
	洽群42#(173E)	1242	ø 48.0	94	ø 60.0	6343-48	F48/81	231.009
	洽群52#(177E)	1252	ø 58.0	94	ø 70.0			
LICO	利高32#(164E)	1232	ø 38.1	108	ø 49.0		F38/72	
	利高42#(173E)	1242	ø 48.0	94	ø 60.0	6343-48	F48/81	231.009
	利高52#(177E)	1252	ø 58.0	94	ø 70.0			
RIKEN	SAD-25	1721	ø 30.0	66	ø 43.0			
	SAD-40	1742	ø 48	84	ø 66.0			
	SAD-50	1750	ø 56.0	94	ø 68.0			
	SAD-65	1765	ø 75.0	100	ø 93.0			
INDEX	INDEX#36	1236	ø 42.0	94	ø 55.0	6343-42	F42/99	231.007
	INDEX#42	1242	ø 48.0	94	ø 60.0	6343-48	F48/81	231.009
	INDEX#52	1252	ø 58.0	94	ø 70.0			
	INDEX#60	1261	ø 66.0	110	ø 84.0	6343-60	F66/359	231.001
TRAUB	TRAUB A-15	1215	ø 22.0	55	ø 30.0	6343-22	F22/71	
	TRAUB A-20	1220	ø 28.0	70	ø 38.0		F28/93	231.004
	TRAUB A-25	1225	ø 32.0	75	ø 45.0	6343-32	F32/221	231.005

Schaublin sharpening machine collet



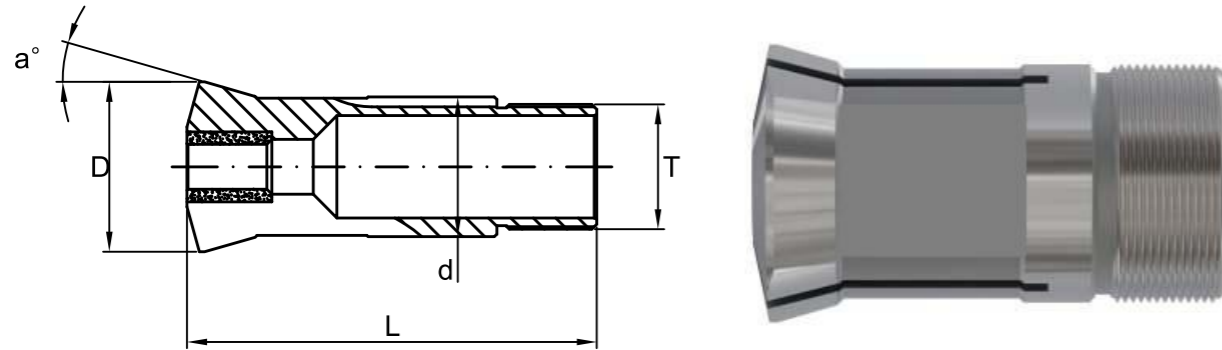
Machines	Type	Item No	d	L	D
Schaublin	B8	72-137	ø6	31.3	ø10.5
	W10	80-1	ø10	43.6	ø14
	W15	80-3	ø15.0	58.3	ø 20.2
	W20	80-4	ø20.0	73	ø 26.3
	W20	80-107	ø20.0	73	ø 26.3
	W20	80-92744	ø20.0	84.5	ø 26.3
	W25	80-5	ø25.0	97.6	ø 33.7

Rubber collet



Machines	Type	L	D	a°
Rubber collet	RC32	44	57.7	12°
	RC32N	49	57.7	12°
	RC42S	42	79.3	15°
	RC42N	47	79.3	15°
	RC52S	46	79.2	15°
	RC52N	46	79.2	15°
	RC65S	53	99.5	15°
	RC65N	58	99.5	15°
	RC80S	53	114.5	15°
	RC80N	53	114.5	15°
	RC100S	59	144.5	15°
	RC100N	59	144.5	15°
	RC120S	61	180	15°
	RC120N	61	180	15°

Guide bushes



Machines	Type	Item No	d	L	D	T	Article No		
CITIZEN	R04	5204	∅ 9.0	38.5	∅ 12.5	M8X0.75	263.001		
	R07	5907	∅ 11.0	52	∅ 14.5	M10X0.75	3134E	3.001	TD-7
	D10,E10,F10,L10	5910	∅ 16.0	59	∅ 20.5	M14X1.0	3260E	8.001	TD10
	B12,F12,C12,A12	5212	∅ 18.0	60	∅ 22.0	M18X1.0	3319E	174.001	SD125R
	B20,M20,L20	5920	∅ 28.0	82	∅ 34.0	M25X1.0	3602E	22.001	TD25S
	L16/20,F16/F20,E20,WF6,206M	5216	∅ 30.0	59	∅ 35.0	M30X1.0	510.001		
	F25,L25,E25,E25J	5725	∅ 34.0	87.5	∅ 41.0	M34X1.0	3733E	451.001	CD25
	L32,M32,G32,E32	5232	∅ 42.0	82	∅ 48.0	M40X1.0	28.01		TD32
STAR	SW-7	5907	∅ 11.0	52	∅ 14.5	M10X0.75	3134E	3.001	TD-7
	JNC-10,RNC-10,SNC-10	5910	∅ 16.0	59	∅ 20.5	M14X1.0	3260E	8.001	TD10
	SE12,VNC12,SJ15,SNC15	5512	∅ 21.0	58	∅ 24.0	M18X1.0	3438E	450.001	SNC15
	SB16,SR16	5616	∅ 22.0	70.5	∅ 26.0	M20X1.0	487.001		P1653D
	RNC16,SE16,SA16,VNC16,KNC16	5516	∅ 22.0	68	∅ 29.0	M22X1.0			
	SA-16,SR-16	5916	∅ 22.0	68	∅ 29.0	M22X1.0	3455E	39.001	TD20R
	SR20,KNC16,VNC20	5920	∅ 28.0	82	∅ 34.0	M25X1.0	3602E	22.001	TD25S
	JNC16,L16/20,ZNC16,VNC20	5216	∅ 30.0	59	∅ 35.0	M30X1.0	510.001		
TSUGAMI	SCN-25,KJR-25	5725	∅ 34.0	87.5	∅ 41.0	M34X1.0	3733E	451.001	CD25
	JNC32/25,VNC32/25,MR32,SR32	5532	∅ 42.0	82	∅ 49.0	M40X1.0	3827E	28.001	TD32S
	NP-4W	5907	∅ 11.0	52	∅ 14.5	M10X0.75	3134E	3.001	TD-7
	T7,BOO7,BM07	5707	∅ 12.0	52	∅ 15.8	M12X1.0	3149E	261.001	
	L10	5710	∅ 15.0	54	∅ 19.0	M14X1.0			
	NT-11,NP-11	5212	∅ 18.0	60	∅ 22.0	M18X1.0	3319E	174.001	SD125R
	BO12	5616	∅ 22.0	70.5	∅ 26.0	M20X1.0	487.001		P1653D
	NP-17,NP-16,NT-17	5717	∅ 23.0	72	∅ 28.0	M22X1.0	483.001		TSG20R
	NP-20,BS20,BO18,BS18	5720	∅ 30.0	70	∅ 36.0	M28X1.0	486.001		NN20KD
	BO20-CV	5721	∅ 26.0	77	∅ 29.0	M25X1.0			TD26
	BA-26	5726	∅ 33.0	70	∅ 38.0	M30X1.0			
	BA-26L	5724	∅ 32.0	70	∅ 38.0	M30X1.0			
WANG TZY	S-25,BS-26	5725	∅ 34.0	87.5	∅ 41.0	M34X1.0	3733E	451.001	CD25
	NP-32	5532	∅ 42.0	82	∅ 49.0	M40X1.0	3827E	28.001	TD32S
	BH38	5738	∅ 48.0	81	∅ 54.0	M46X1.0			

Machines	Type	Item No	d	L	D	T	Article No		
NOMURA	NS-P8410,NS-P8420	5608	∅ 14.0	60.5	∅ 20.0	M14X1.0	480.001		P853D
	NS-P1053,NN-10K,	5610	∅ 16.0	63	∅ 20.0	M14X1.0	481.001		P1053D
	NS-P1653,NS-P1253	5616	∅ 22.0	70.5	∅ 26.0	M20X1.0	487.001		P1653D
	NN-P20,NN-20KF	5620	∅ 30.0	67.5	∅ 35.0	M30X1.0			
	NNC-P2553,NN-25K	5625	∅ 36.0	89	∅ 44.0	M36X1.0			
	P-32	5632	∅ 44.0	90	∅ 50.0	M40X1.0			
TORNOS	M4,T4,TV	5904	∅ 9.0	44	∅ 12.0	M8X0.75	3077E	1.001	PD-4
	M7	5907	∅ 11.0	52	∅ 14.5	M10X0.75	3134E	3.001	TD-7
	M7,MS7	5908	∅ 13.0	68	∅ 17.0	M13X1.0		45.001	
	R10,M10,R125,MS7	5910	∅ 16.0	59	∅ 20.5	M14X1.0	3260E	8.001	TD10
	R10,M10,R125	5212	∅ 18.0	60	∅ 22.0	M18X1.0	3319E	174.001	SD125R
	M15,R16,RR20	5915	∅ 22.0	68	∅ 29.0	M19X1.0	3454E	13.001	TD20
	M15,R16,RR20	5916	∅ 22.0	68	∅ 29.0	M22X1.0	3455E	39.001	TD20R
	RR20,	5920	∅ 28.0	82	∅ 34.0	M25X1.0	3602E	22.001	TD25S
	M20,M25	5925	∅ 32.0	70.5	∅ 40.0	M32X1.0	3708E	282.001	TSD20
	MR32	5932	∅ 44.0	87.5	∅ 53.0	M40X1.0	3835E	27.001	
TORNOS-DECO	DECO 2000-7	5907	∅ 11.0	52	∅ 14.5	M10X0.75	3134E	3.001	TD-7
	DECO 2000-10	5910	∅ 16.0	59	∅ 20.5	M14X1.0	3260E	8.001	TD10
	DECO 2000-13/16	5816	∅ 24.0	61	∅ 29.5	M24X1.0	3507E	61.002	O201
	DECO 2000-20	5820	∅ 28.0	82	∅ 38.0	M25X1.0	3610E	18.001	TD25/167
	DECO 2000-26	5725	∅ 34.0	87.5	∅ 41.0	M34X1.0	3733E	451.001	CD25
	DECO 2000-32	5532	∅ 42.0	82	∅ 49.0	M40X1.0	3827E	28.001	TD32S
HANWHA	HANEX11,SL12	5212	∅ 18.0	60	∅ 22.0	M18X1.0	3319E	174.001	SD125R
	HANEX17,ML18-G	5916	∅ 22.0	68	∅ 29.0	M22X1.0	3455E	39.001	TD20R
	HANEX20	5920	∅ 28.0	82	∅ 34.0	M25X1.0	3602E	22.001	TD25S
	HANEX25	5725	∅ 34.0	87.5	∅ 41.0	M34X1.0	3733E	451.001	CD25
	SL-32	5532	∅ 42.0	82	∅ 49.0	M40X1.0	3827E	28.001	TD32S
	SL-35,SL-38	5435	∅ 45.0	82	∅ 52.0	M42X1.0			
HARDINGE	SL-38HP-II	5438	∅ 46.0	82	∅ 53.0	M45X1.0			
	SL,ST220	5720	∅ 30.0	70	∅ 36.0	M28X1.0	486.001		NN20KD
	ST220	5920	∅ 28.0	82	∅ 34.0	M25X1.0	3602E	22.001	TD25S
	ST225	5725	∅ 34.0	87.5	∅ 41.0	M34X1.0	3733E	451.001	CD25
DMG	GMC20	5820	∅ 28.0	82	∅ 38.0	M25X1.0	3610E	18.001	TD25/167
POLYGYM	DIAMOND 12,12CS	5212	∅ 18.0	60	∅ 22.0	M18X1.0	3319E	174.001	SD125R
	DIAMOND 16,16CS	5616	∅ 22.0	70.5	∅ 26.0	M20X1.0	487.001		P1653D
	DIAMOND 20,20B,20CS,20CSB	5216	∅ 30.0	59	∅ 35.0	M30X1.0	510.001		
	DIAMOND 25,25B,25CS,25CSB	5725	∅ 34.0	87.5	∅ 41.0	M34X1.0	3373E	451.001	CD25
	DIAMOND 32,32B,32CS,32CSB	5232	∅ 42.0	82	∅ 48.0	M40X1.0	28.01		TD32
JINN FA	JSL-20	5720	∅ 30.0	70	∅ 36.0	M28X1.0	486.001		NN20KD
	JSL-26	5725	∅ 34.0	87.5	∅ 41.0	M34X1.0	3733E	451.001	CD25
	JSL-32	5532	∅ 42.0	82	∅ 49.0	M40X1.0	3827E	28.001	TD32S
WANG TZY	SL-1693	5616	∅ 22.0	70.5	∅ 26.0	M20X1.0	487.001		P1653D
	SL-2596	5725	∅ 34.0	87.5	∅ 41.0	M34X1.0	3733E	451.001	CD25
	SL-3295	5232	∅ 42.0	82	∅ 48.0	M40X1.0	28.01		TD32

Guide bush hole options



GB01

Ceramics



GB02

S-shaped groove



GB03

V groove



GB04

Hexagon



GB05

Square



GB06

Special-shaped material



GB07

Carbide lengthening



GB08

Copper bushing with inner hole at tail end



GB09

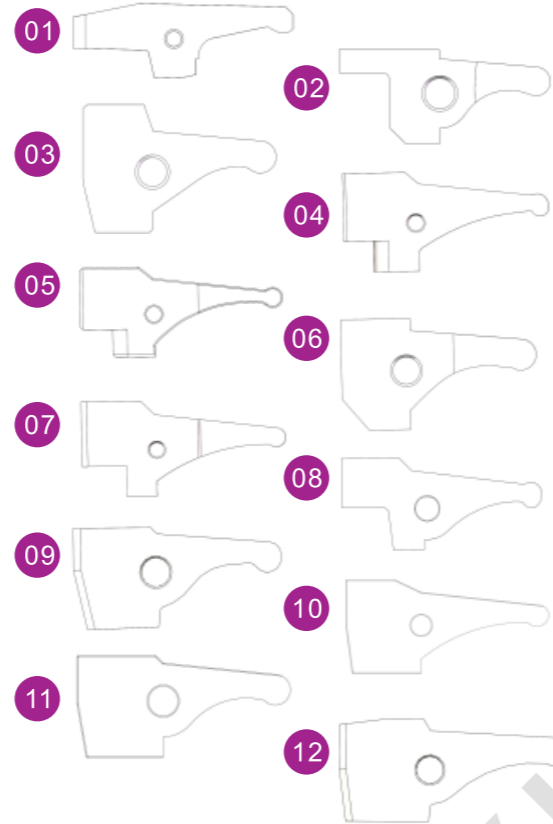
Rectangle

ZEUS

CNC Toggle

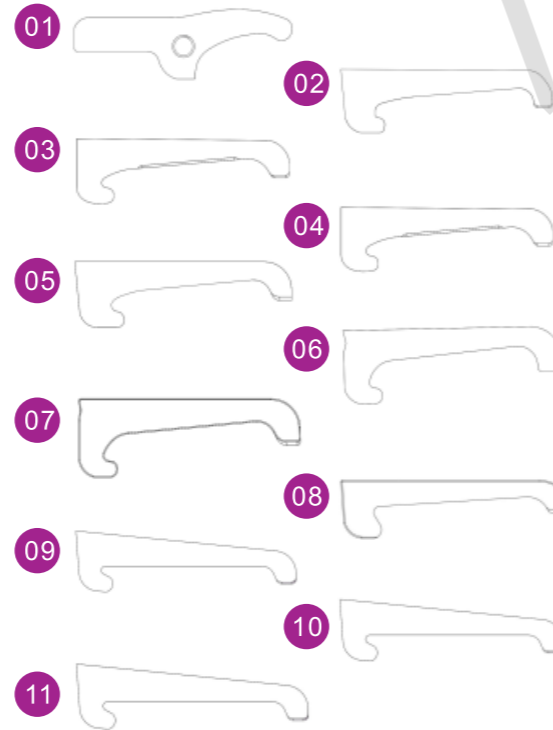
(STAR)

NUMBER	MODEL	L	H	T	Q
1	8#	53	17.1	6	4
2	10J	40	18	6	6
3	12#	39	25.6	8	6
4	RNC16(舊)	67.5	32	10	6
5	RNC16(新)(RNC16 New)	68	32	10	6
6	RNC16副軸(RNC16 B)	39	22	8	6
7	SB16#	68	31.5	10	6
8	20#	68	31	10	8
9	20#副軸	50	25.6	12	8
10	SR20R主軸	78	35.6	12	8
11	SR20副軸	57	27	12	8
12	32#	67.3	29.9	12	8



(TSUGAMI)

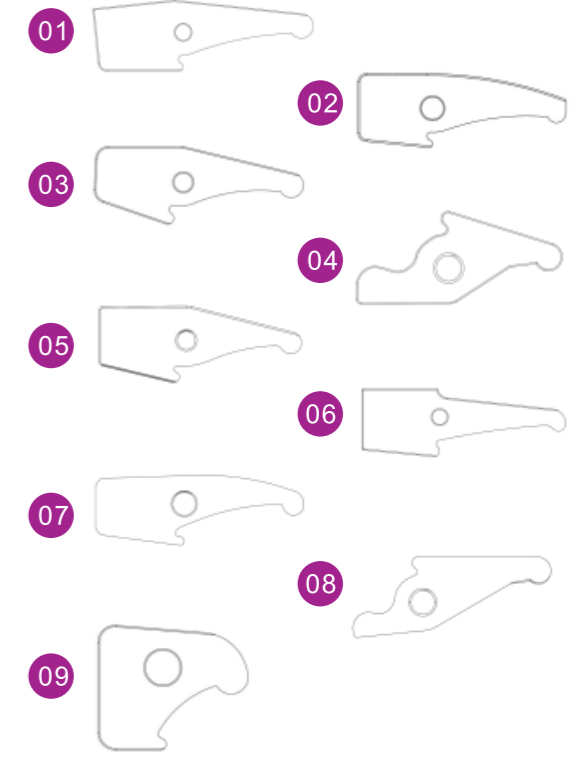
NUMBER	MODEL	L	H	T	Q
1	T7	59	18	7	5
2	BO12	57	17	8	
3	NP17	57	17	12	
4	BO18	57	17	12	
5	BO20	57	17	12	
6	BO205	57	19	12	
7	BO206	57	20	12	
8	S20背軸	57	14	8	
9	BO25	86	22	12	
10	BA26	86	22	12	
11	BO385	86	22	12	



CNC Toggle

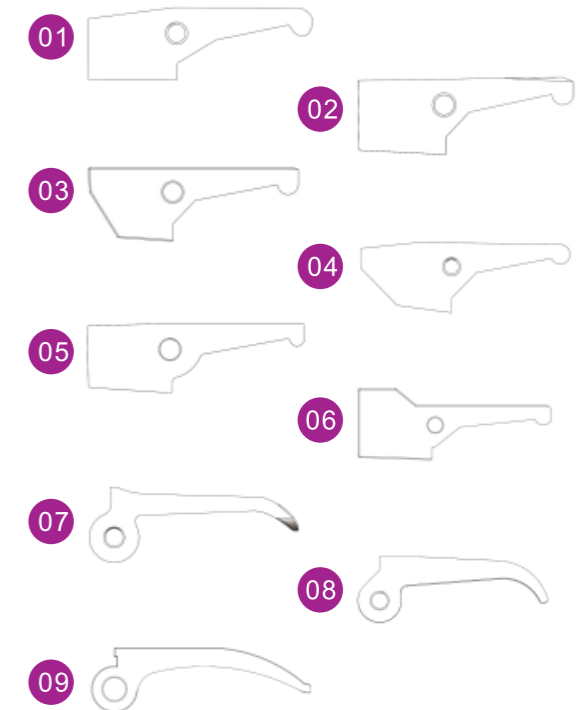
(CITIZEN)

NUMBER	MODEL	L	H	T	Q
1	B12	54	17.2	6	4
2	B12#副軸(舊)(B12# B)	36.3	12.8	4	4
3	B12#副軸(新)(B12# B)	45	17	6	4
4	BL12	41	23	8	6
5	16#	55	21	8	6
6	16#副軸(16# B)	54	18	6	4
7	20#	73	24.4	10	8
8	BL20	51	20	8	6
9	BL20副軸(BL20 B)	25.5	21.4	8	6



(NOMURA)

NUMBER	MODEL	L	H	T	Q
1	8#	50.5	16	6	4
2	10#	50.3	17.4	7	4.5
3	10T	50.3	17.4	7	4.5
4	10S	53	17	7	4.5
5	P16	64.6	20.3	8	6
6	NN16	58.6	21.3	7	4.5
7	NN20	69.5	24	8	6
8	NN20J	70	25	8	6
9	25#	96	28.7	14	10



LNS Finger chuck



Product code	Model	ID	OD	L	Tooth gaugeL	Numberingr
FL01	4#	0.8~4.0mm	5mm	98mm	M4P0.7	1
FL02	4-7#	0.8~4.0mm	7mm	98mm	M4P0.7	2
FL02	4-7#	4.1~6.0mm	7mm	98mm	M4P0.7	2
FL02	4-7#	2.0~5.5mm	7mm	98mm	M4P0.7	2
FL03	4#	0.8~4.0mm	5mm	28mm	M4P0.7	3
FL04	4-7#	1.5~6.0mm	7mm	28mm	M4P0.7	4
FL04	7#	1.3~6.0mm	7mm	50mm	M4P0.7	5
FL05	7#	1.3~6.5mm	8mm	50mm	M4P0.7	5
FL05	7#	6.6~7.0mm	9mm	50mm	M4P0.7	5
FL06	8.5#	1.5~7.8mm	9.5mm	45mm	M5P0.8	6
FL07	8.5#	7.9~8.5mm	10mm	45mm	M5P0.8	6
FL07	8.5#	3.0~10.5mm	12mm	45mm	M5P0.8	7
FL07	8.5#	10.8~11.0mm	13mm	45mm	M5P0.8	8
FL07	8.5#	11.5~12.0mm	14mm	45mm	M5P0.8	8
FL08	8.5#	12.5~13.0mm	15mm	45mm	M5P0.8	8
FL09	8.5#	13.5mm	15.5mm	45mm	M5P0.8	8
FL10	20#	2.5~13.0mm	15mm	60mm	M9P1.0	9
FL10	20#	11.5~15.1mm	18mm	60mm	M9P1.0	10
FL10	20#	15.2~16.0mm	19mm	60mm	M9P1.0	10
FL10	20#	16.5~18.0mm	20mm	60mm	M9P1.0	10
FL10	20#	18.5~19.0mm	22mm	60mm	M9P1.0	11
FL11	20#	19.5~21.0mm	24mm	60mm	M9P1.0	11
FL11	20#	21.5~22.0mm	25mm	60mm	M9P1.0	11
FL11	XT326	18.0~19.5mm	22mm	60mm	M9P1.0	12
FL11	XT326	20.0~21.0mm	23mm	60mm	M9P1.0	12
FL12	XT326	21.5~23.0mm	26mm	60mm	M9P1.0	12
FL13	XT326	24.0~26.0mm	28mm	60mm	M9P1.0	12
FL14	SN20#	3.0~18.0mm	20mm	60mm	M10P1.0	13
FL15	SN25#	16.5~23.0mm	25mm	60mm	M10P1.0	14
FL16	SN27#	16.5~25.0mm	27mm	60mm	M10P1.0	14
FL17	SN32#	23.5~28.0mm	32mm	70mm	M17P1.0	15
FL18	SN35#	28.5~33.0mm	35mm	80mm	M25P1.5	16
FL19	SN37#	31.0~34.0mm	37mm	80mm	M25P1.5	17
FL20	SN38#	31.0~35.0mm	38mm	80mm	M25P1.5	17
FL21	SN42#	31.5~40.0mm	42mm	80mm	M25P1.5	17
FL22	SN45#	38.5~42.2mm	45mm	80mm	M25P1.5	17
FL23	SN51#	42.5~48.0mm	51mm	80mm	M25P1.5	18
FL22	32#	4.0~30.0mm	32mm	80mm	M25P1.5	15
FL23	40#	21.0~36.5mm	40mm	80mm	M25P1.5	17

LNS Revolving tip



Product code	Model	OD	L	Tooth gaugeL	Push rod tooth gauge	Numberingr
RL01	4#	5mm	77.1mm	M4P0.7	M4P0.7	1
RL02	4-7#	7mm	77.2mm	M4P0.7	M4P0.7	2
RL03	7#	7mm	65.3mm	M4P0.7	M6P0.75	3
RL04	7#	7mm	65.3mm	M4P0.7	M6*1.0	3
RL05	7#	8mm	65.3mm	M4P0.7	M6P0.75	3
RL06	7#	8mm	65.3mm	M4P0.7	M6*1.0	3
RL07	7#	8mm	61.5mm	M4P0.7	M6P0.75	4
RL08	7#	7mm	57.5mm	M4P0.7	M6P0.75	5
RL09	7.5#	7.5mm	57.5mm	M4P0.7	M6*1.0	5
RL10	7#	8mm	57.5mm	M4P0.7	M6P0.75	5
RL11	8.5#	9.5mm	63.5mm	M5P0.8	M7P0.75	6
RL12	8.5#	9.5mm	66.3mm	M5P0.8	M7P0.75	6
RL13	8.5#	10mm	59.5mm	M5P0.8	M7P0.75	7
RL14	8.5#	10mm	61.1mm	M5P0.8	M7P0.75	7
RL15	8.5#	9mm	64.5mm	M5P0.8	M7P0.75	8
RL16	8.5#	10mm	64.5mm	M5P0.8	M7P0.75	8
RL17	12#	12mm	64.5mm	M5P0.8	M7P0.75	9
RL18	12#	12mm	64.5mm	M5P0.8	M8P1.0	9
RL19	20#	15mm	92.2mm	M9P1.0	M12P1.0	10
RL20	20#	15mm	92.2mm	M9P1.0	M12P1.0	11
RL21	20#	15mm	92.2mm	M9P1.0	M12P1.25	12
RL22	20#	20mm	92.2mm	M9P1.0	M12P1.25	13
RL23	25#	25mm	92.2mm	M9P1.0	M12P1.25	14
RL24	20#	20.5mm	207.5mm	M10P1.0	PIN=4.0mm	15
RL25	20#	20.5mm	193.5mm	M10P1.0	M12P1.25	
RL26	22#	22.5mm	207.5mm	M10P1.0	PIN=4.0mm	15
RL27	23#	22.5mm	207.5mm	M10P1.0	PIN=4.0mm	15
RL28	23#	22.5mm	193.5mm	M10P1.0	M12P1.25	
RL29	25#	25.5mm	207.5mm	M10P1.0	PIN=5.0mm	16
RL30	25#	25.5mm	193.5mm	M10P1.0	M16P1.5	
RL31	27#	27.5mm	207.5mm	M10P1.0	PIN=5.0mm	16
RL32	27#	27.5mm	193.5mm	M10P1.0	M16P1.5	
RL33	32#	32.5mm	165.0mm	M25P1.5	PIN=5.0mm	17
RL34	32#	32.5mm	165.0mm	M25P1.5	M27	18
RL35	35#	35.5mm	165.0mm	M25P1.5	PIN=6.0mm	17
RL36	35#	35.5mm	165.0mm	M25P1.5	M29	18
RL37	37#	37.5mm	165.0mm	M25P1.5	PIN=6.0mm	17
RL38	37#	37.5mm	165.0mm	M25P1.5	M29	18
RL39	38#	38.5mm	165.0mm	M25P1.5	PIN=6.0mm	17
RL40	38#	38.5mm	165.0mm	M25P1.5	M29	18
RL41	42#	41.5mm	165.0mm	M25P1.5	PIN=6.0mm	19
RL42	42#	41.5mm	165.0mm	M25P1.5	M34	20
RL43	45#	45.5mm	165.0mm	M25P1.5	PIN=6.0mm	19
RL44	45#	45.5mm	165.0mm	M25P1.5	M38	20
RL45	51#	51.5mm	165.0mm	M25P1.5	PIN=6.0mm	21
RL46	51#	51.5mm	165.0mm	M25P1.5	M42	22

LNS Parts



42# Aircraft piece



KT Aircraft piece



Aircraft piece



Aircraft piece



Anti-vibration block



Anti-vibration wheel



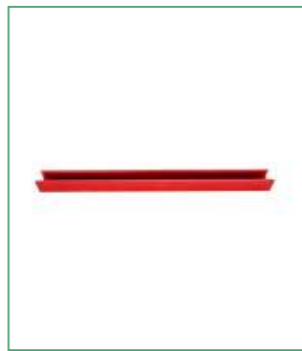
Anti-vibration wheel axle



Anti-vibration rubber wheel set (mechanical arm)



PE Plastic pipe



Plastic pipe



Screw rod



Manual box



Manual control box line



Adapter shaft



Adapter shaft



Adapter shaft

GIMCO (IEMCA) Finger chuck

01



02



03



04



05



06



07



08



09



10



11



12



13



14



Product code	Model	ID	OD	L	Tooth gaugeL	Drawing number
FIG01	4#	0.8~4mm	5mm	98mm	M4P0.7	1
FIG02	5#	2~4mm	5mm	37mm	M4P0.5	2
FIG03	4-7#	0.8~4mm	7mm	98mm	M4P0.7	3
FIG04	4-7#	4.1~6mm	7mm	98mm	M4P0.7	3
FIG05	4-7#	2~5.5mm	7mm	98mm	M4P0.7	3
FIG06	7.5#	2~6mm	7.5mm	40mm	M5P0.8	4
FIG07	10#	1.5~8.5mm	10mm	42mm	M6P0.75	5
FIG08	12#	1.5~10.5mm	12mm	42mm	M7P0.75	6
FIG09	15#	2~13mm	15mm	42mm	M8P1.0	7
FIG10	16#	12~14mm	16mm	42mm	M8P1.0	7
FIG11	20#	3~18.5mm	20mm	60mm	M10P1.0	8
FIG12	23#	16~21mm	23mm	60mm	M10P1.0	9
FIG13	25#	16.5~23mm	25mm	60mm	M10P1.0	10
FIG14	27#	16.5~25.5mm	27mm	60mm	M10P1.0	9
FIG15	32#	4~30mm	32mm	80mm	M25P1.5	11
FIG16	35#	28.5~32mm	35mm	80mm	M25P1.5	12
FIG17	37#	31~34mm	37mm	80mm	M25P1.5	13
FIG18	38#	31~35mm	38mm	80mm	M25P1.5	13
FIG19	40#	21~36.5mm	40mm	80mm	M25P1.5	13
FIG20	42#	31.5~40mm	42mm	80mm	M25P1.5	13
FIG21	45#	38.5~42.2mm	45mm	80mm	M25P1.5	13
FIG22	51#	42.5~48mm	51mm	80mm	M25P1.5	14

GIMCO(IEMCA) Revolving tip



Product code	Model	OD	L	Tooth gauge	Push rod tooth gauge	Drawing number
RG01	7.5#	7.5mm	151mm	M5P0.5	M6P0.75	1
RG02	10#	10.5mm	137.5mm	M6P0.75	M8P1.0	2
RG03	10#	10.5mm	167mm	M6P0.75	PIN=3.0	3
RG04	12#	12.5mm	173mm	M7P0.75	PIN=3.0	4
RG05	15#	15.5mm	195mm	M8P1.0	PIN=4.0	5
RG06	16#	16.5mm	195mm	M8P1.0	PIN=4.0	5
RG07	18#	18.5mm	195mm	M8P1.0	PIN=4.0	5
RG08	19#	19.5mm	195mm	M8P1.0	PIN=4.0	5
RG09	20#	20.5mm	207.5mm	M10P1.0	PIN=4.0	6
RG10	22#	22.5mm	207.5mm	M10P1.0	PIN=4.0	6
RG11	23#	23.5mm	207.5mm	M10P1.0	PIN=4.0	6
RG12	25#	25.5mm	207.5mm	M10P1.0	PIN=5.0	7
RG13	27#	27.5mm	207.5mm	M10P1.0	PIN=5.0	7
RG14	30#	30.5mm	165mm	M25P1.5	PIN=5.0	8
RG15	32#	32.5mm	165mm	M25P1.5	PIN=5.0	8
RG16	35#	35.5mm	165mm	M25P1.5	PIN=5.0	9
RG17	37#	37.5mm	165mm	M25P1.5	PIN=5.0	9
RG18	38#	38.5mm	165mm	M25P1.5	PIN=5.0	9
RG19	40#	40.5mm	165mm	M25P1.5	PIN=6.0	10
RG20	42#	42.5mm	165mm	M25P1.5	PIN=6.0	10
RG21	45#	45.5mm	165mm	M25P1.5	PIN=6.0	10
RG22	51#	51.5mm	165mm	M25P1.5	PIN=6.0	11
RG23	51#	51.5mm	221mm	M25P1.5	PIN=6.0	12

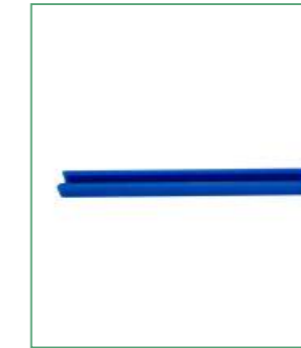
GIMCO (IEMCA) Parts



Anti-vibration block



Anti-vibration wheel



Plastic pipe



Manual box



Manual control box line



Adapter shaft

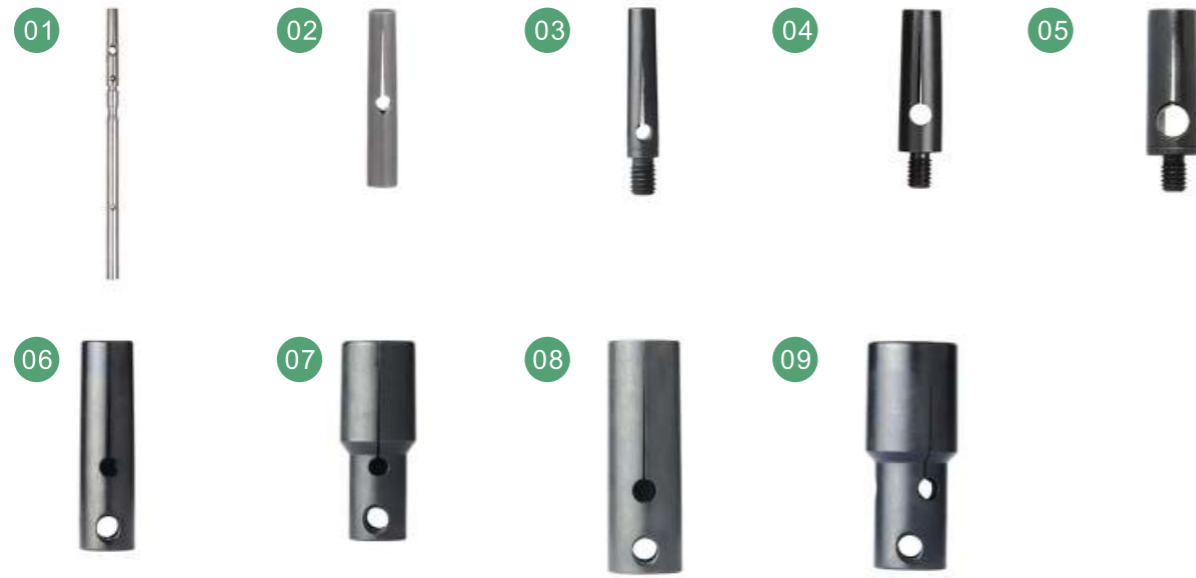


Adapter shaft



Adapter shaft

IKURA Finger chuck



Product code	Model	ID	OD	L	Tooth gaugeL	Numberingr
FI01	4#	0.8~4.0mm	5mm	98mm	M4P0.7	1
FI02	4#	0.8~4.0mm	5mm	28mm	M4P0.7	2
FI03	7#	1.5~6.0mm	7mm	40mm	M6P1.0	3
FI04	8#	1.5~6.5mm	8mm	40mm	M6P1.0	3
FI05	10#	1.5~8.5mm	10mm	40mm	M6P1.0	4
FI06	12#	3~10.5mm	12mm	40mm	M6P1.0	5
FI07	15#	3~13.0mm	15mm	55mm	M4P0.7	6
FI08	20#	3~18.0mm	20mm	55mm	M4P0.7	7
FI09	25#	5~23.0mm	25mm	76mm	M4P0.7	8
FI10	32#	5~28.0mm	32mm	76mm	M5P0.8	9

IKURA Revolving tip



Product code	Model	OD	L	Tooth gaugeL	Push rod tooth gauge	Numberingr
RI01	4#	5mm	77.1mm	M4P0.7	M4P0.7	1
RI02	7#	7mm	67.5mm	M6P1.0	M6P1.0	2
RI03	8#	8mm	67.5mm	M6P1.0	M6P1.0	2
RI04	10#	10mm	67.5mm	M6P1.0	M6P1.0	3
RI05	12#	12mm	67.5mm	M6P1.0	M6P1.0	4
RI06	15#	15mm	119.5mm	PIN=6.0	M12P1.25	5
RI07	16#	16.3mm	119.5mm	PIN=6.0	M12P1.25	6
RI08	17#	17mm	119.5mm	PIN=6.0	M12P1.25	6
RI09	19#	19mm	119.5mm	PIN=6.0	M12P1.25	6
RI10	20#	20mm	119.5mm	PIN=6.0	M12P1.25	6
RI11	21#	20.5mm	119.5mm	PIN=6.0	M12P1.25	6
RI12	22#	21mm	119.5mm	PIN=6.0	M12P1.25	6
RI13	25#	25mm	160.3mm	PIN=8.0	M20P1.5	7
RI14	32#	32mm	160.3mm	PIN=8.0	M20P1.5	8

PRO Finger chuck



Product code	Model	ID	OD	L	Tooth gaugeL	Drawing number
FP01	4#	0.8~4mm	5mm	98mm	M4P0.7	1
FP02	4-7#	0.8~4mm	7mm	98mm	M4P0.7	2
FP03	4-7#	4.1~6mm	7mm	98mm	M4P0.7	2
FP04	4-7#	2~5.5mm	7mm	98mm	M4P0.7	2
FP05	10#	1.5~8.5mm	10mm	42mm	M6P0.75	3
FP06	12#	1.5~10.5mm	12mm	42mm	M7P0.75	4
FP07	15#	2~13mm	15mm	42mm	M8P1.0	5
FP08	16#	12~14mm	16mm	42mm	M8P1.0	5
FP09	16#	3~13mm	15mm	60mm	M12P1.0	6
FP10	16#	12~14mm	16mm	60mm	M12P1.0	6
FP11	20#	3~18.5mm	20mm	60mm	M10P1.0	7
FP12	20#	3~18mm	20mm	60mm	M12P1.0	7
FP13	23#	16~21mm	23mm	60mm	M10P1.0	8
FP14	25#	16.5~23mm	25mm	60mm	M10P1.0	9
FP15	25#	5~19.5mm	23mm	80mm	M18P1.0	9
FP16	25#	20~23mm	25mm	80mm	M18P1.0	10
FP17	27#	16.5~25.5mm	27mm	60mm	M10P1.0	9
FP18	32#	4~30mm	32mm	80mm	M25P1.5	11
FP19	35#	28.5~32mm	35mm	80mm	M25P1.5	12
FP20	37#	31~34mm	37mm	80mm	M25P1.5	13
FP21	38#	31~35mm	38mm	80mm	M25P1.5	13
FP22	40#	21~36.5mm	40mm	80mm	M25P1.5	13
FP23	42#	31.5~40mm	42mm	80mm	M25P1.5	13
FP24	45#	38.5~42.2mm	45mm	80mm	M25P1.5	13
FP25	51#	42.5~48mm	51mm	80mm	M25P1.5	14

PRO Revolving tip



Product code	Model	OD	L	Tooth gaugeL	Push rod tooth gauge	Numberingr
RP01	10#	10.5mm	167mm	M6P0.75	PIN=3.0	1
RP02	12#	12.5mm	173mm	M7P0.75	PIN=3.0	2
RP03	12#	12mm	113.5mm	M7P0.75	M7P0.75	3
RP04	15#	15.5mm	195mm	M8P1.0	PIN=4.0	4
RP05	16#	16.5mm	195mm	M8P1.0	PIN=4.0	4
RP06	16#	16mm	147mm	M12P1.0	M10P1.0	5
RP07	18#	18.5mm	195mm	M8P1.0	PIN=4.0	4
RP08	19#	19.5mm	195mm	M8P1.0	PIN=4.0	4
RP09	20#	20.5mm	207.5mm	M10P1.0	PIN=4.0	6
RP10	22#	22.5mm	207.5mm	M10P1.0	PIN=4.0	6
RP11	23#	23.5mm	207.5mm	M10P1.0	PIN=4.0	6
RP12	20#	20mm	145mm	M12P1.0	M10P1.0	7
RP13	25#	25.5mm	207.5mm	M10P1.0	PIN=5.0	8
RP14	27#	27.5mm	207.5mm	M10P1.0	PIN=5.0	8
RP15	25#	26mm	145mm	M18P1.0	M14P1.0	9
RP16	30#	30.5mm	165mm	M25P1.5	PIN=5.0	10
RP17	32#	32.5mm	165mm	M25P1.5	PIN=5.0	10
RP18	35#	35.5mm	165mm	M25P1.5	PIN=5.0	11
RP19	37#	37.5mm	165mm	M25P1.5	PIN=5.0	11
RP20	38#	38.5mm	165mm	M25P1.5	PIN=5.0	11
RP21	40#	40.5mm	165mm	M25P1.5	PIN=6.0	12
RP22	42#	42.5mm	165mm	M25P1.5	PIN=6.0	12
RP23	45#	45.5mm	165mm	M25P1.5	PIN=6.0	12
RP24	51#	51.5mm	165mm	M25P1.5	PIN=6.0	13

PRO Parts



Manual box

Adapter shaft

Adapter shaft
(quick release type)

Adapter shaft



Adapter shaft

Anti-vibration block

BARLOAD Parts



Adapter shaft

Adapter shaft

Adapter shaft

ALPS Finger chuck



Product code	Model	ID	OD	L	Tooth gaugeL	Numberingr
FA01	20#	3~12.7mm	15mm	75mm	M10P1.0	1
FA02	20#	13~15mm	18mm	75mm	M10P1.0	2
FA02	20#	15.5~16mm	19mm	75mm	M10P1.0	2
FA02	20#	16.5~18mm	20mm	75mm	M10P1.0	2
FA03	32#(P)	8~18mm	24mm	110mm		3
FA03	32#(P)	18.5~19mm	26mm	110mm		3
FA04	32#(P)	19.5~26.5mm	32mm	110mm		4
FA04	32#(P)	27~29.5mm	35mm	110mm		4
FA04	32#(P)	30~33mm	38mm	110mm		4
FA04	32#(P)	33.5~36mm	42mm	110mm		4

ALPS Revolving tip



產品代號 Product code	型號 Model	外徑 OD	長度 L	料夾端牙規 Tooth gaugeL	推桿端牙規 Push rod tooth gauge	編號 Numberingr
RA01	12#	12mm	82.2mm	M6P1.0	M8	1
RA02	16#	16mm	70.1mm	M10P1.0	M14P1.0	2
RA03	20#	20mm	72.2mm	M10P1.0	M16P1.0	3

BARLOAD Finger chuck



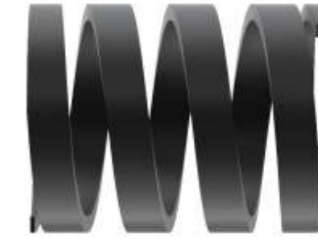
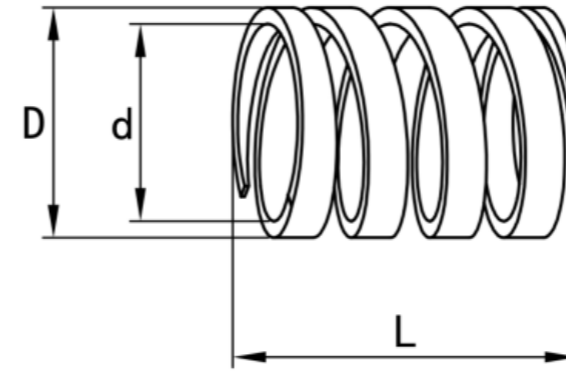
Product code	Model	ID	OD	L	Tooth gaugeL	Numberingr
FB01	4#	0.8~4.0	5	98mm	M4P0.7	1
FB02	4-7#	0.8~4.0		98mm	M4P0.7	2
FB02	4-7#	4.1~6.0	7	98mm	M4P0.7	2
FB03	4#	0.8~4.0	5	28mm	M4P0.7	3
FB04	4-7#	1.5~6.0	7	28mm	M4P0.7	4
FB05	7#	1.3~6.0	7	50mm	M4P0.7	5
FB05	7#	1.3~6.5	8	50mm	M4P0.7	5
FB05	7#	6.6~7.0	9	50mm	M4P0.7	5
FB06	8.5#	1.5~7.8	9.5	45mm	M5P0.8	6
FB06	8.5#	7.9~8.5	10	45mm	M5P0.8	6
FB07	8.5#	3.0~10.5	12	45mm	M5P0.8	7
FB08	8.5#	10.8~11.0	13	45mm	M5P0.8	8
FB08	8.5#	11.5~12.0	14	45mm	M5P0.8	8
FB08	8.5#	12.5~13.0	15	45mm	M5P0.8	8
FB08	8.5#	13.5	15.5	45mm	M5P0.8	8
FB09	20#	2.5~13.0	15	60mm	M9P1.0	9
FB10	20#	11.5~15.1	18	60mm	M9P1.0	10
FB10	20#	15.2~16.0	19	60mm	M9P1.0	10
FB10	20#	16.5~18.0	20	60mm	M9P1.0	10
FB11	20#	18.5~19.0	22	60mm	M9P1.0	11
FB11	20#	19.5~21.0	24	60mm	M9P1.0	11
FB11	20#	21.5~22.0	25	60mm	M9P1.0	11
FB12	XT326	18.0~19.5	22	60mm	M9P1.0	12
FB12	XT326	20.0~21.0	23	60mm	M9P1.0	12
FB12	XT326	21.5~23.0	26	60mm	M9P1.0	12
FB12	XT326	24.0~26.0	28	60mm	M9P1.0	12
FB13	SN20#	3.0~18.0	20	60mm	M10P1.0	13
FB14	SN25#	16.5~23.0	25	60mm	M10P1.0	14
FB15	SN27#	16.5~25.0	27	60mm	M10P1.0	14
FB16	SN32#	23.5~28.0	32	70mm	M17P1.0	15
FB17	SN35#	28.5~33.0	35	80mm	M25P1.5	16
FB18	SN37#	31.0~34.0	37	80mm	M25P1.5	17
FB19	SN38#	31.0~35.0	38	80mm	M25P1.5	17
FB20	SN42#	31.5~40.0	42	80mm	M25P1.5	17
FB21	SN45#	38.5~42.2	45	80mm	M25P1.5	17
FB22	SN51#	42.5~48.0	51	80mm	M25P1.5	18
FB23	32#	4.0~30.0	32	80mm	M25P1.5	15
FB24	40#	21.0~36.5	40	80mm	M25P1.5	17

BARLOAD Revolving tip



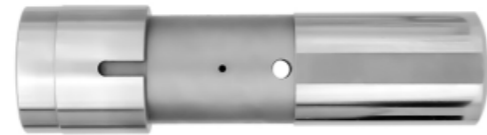
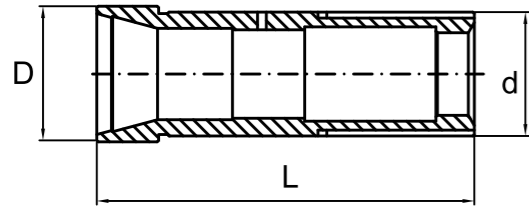
Product code	Model	OD	L	Tooth gaugeL	Push rod tooth gauge	Numberingr
RB01	4#	5mm	77.1mm	M4P0.7	M4P0.7	1
RB02	4-7#	7mm	77.2mm	M4P0.7	M4P0.7	2
RB03	7#	7mm	65.3mm	M4P0.7	M6P0.75	3
RB04	7#	7mm	65.3mm	M4P0.7	M6*1.0	3
RB05	7#	8mm	65.3mm	M4P0.7	M6P0.75	3
RB06	7#	8mm	65.3mm	M4P0.7	M6*1.0	3
RB07	7#	8mm	61.5mm	M4P0.7	M6P0.75	4
RB08	7#	7mm	57.5mm	M4P0.7	M6P0.75	5
RB09	7.5#	7.5mm	57.5mm	M4P0.7	M6*1.0	5
RB10	7#	8mm	57.5mm	M4P0.7	M6P0.75	5
RB11	8.5#	9.5mm	63.5mm	M5P0.8	M7P0.75	6
RB12	8.5#	9.5mm	66.3mm	M5P0.8	M7P0.75	6
RB13	8.5#	10mm	59.5mm	M5P0.8	M7P0.75	7
RB14	8.5#	10mm	61.1mm	M5P0.8	M7P0.75	7
RB15	8.5#	9mm	64.5mm	M5P0.8	M7P0.75	8
RB16	8.5#	10mm	64.5mm	M5P0.8	M7P0.75	8
RB17	12#	12mm	64.5mm	M5P0.8	M7P0.75	9
RB18	12#	12mm	64.5mm	M5P0.8	M8P1.0	9
RB19	15#	15.5mm	182.5mm	M9P1.0	PIN=4.0mm	10
RB20	20#	20.5mm	207.5mm	M10P1.0	PIN=4.0mm	11
RB21	25#	25.5mm	207.5mm	M10P1.0	PIN=5.0mm	12
RB22	32#	32.5mm	165.0mm	M25P1.5	PIN=5.0mm	13

Spring



CODE	D	d	L
SP-01	36.8	33	72.5
SP-02	32.6	29	62
SP-03	36.8	33.6	75
SP-04	25.9	21	31
SP-05	29.9	26.2	52
SP-06	25.7	22	46
SP-07	32.5	28.8	32
SP-08	36.6	32.6	58
SP-09	32.8	28.7	32
SP-10	27.9	23.9	35
SP-11	32.5	28.5	35
SP-12	27.5	23.9	35
SP-13	27.9	24	34
SP-14	19.9	16.4	35
SP-15	23.6	19	30
SP-16	36.8	33	45
SP-17	36.8	33.5	70
SP-18	15.9	13.5	32.5
SP-19	15.8	13.5	30.7
SP-20	19.6	17	30
SP-21	19.6	17	26

Cone sleeve



ØD	L	Ød
14	66	
24.2	89	23
28.3	108.3	28
33	110	28
42	104	35
42	132	42
44	129	40
41	126	35
41	103	35
42	132	42
46	128	41.8

ØD	L	Ød
19	77.2	14
35	88	31
38	96.3	36
40	93	36
46	103	35
42	104.4	35
47	135	44.8
38	106.5	28

	ØD	L	Ød
STAR	RNC16	87	29
	SR20	110	35

	ØD	L	Ød
TORNOS	MS-7	85	18
	D13	69	30
	R32	122	45

CNC Lathe parts



Change outer diameter sleeves



Lathe spindle



Guide bushing outer bushing



Customized saw blade handle



Power axis



Power axis



Oil proof cover



sliding sleeve



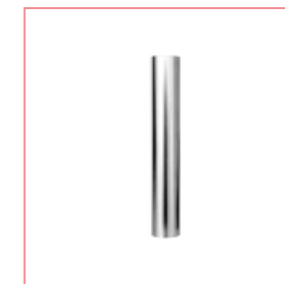
Tsugami water pressure knife block



Saw blade handle



Claw holder



Tie rod



Nut



Nut

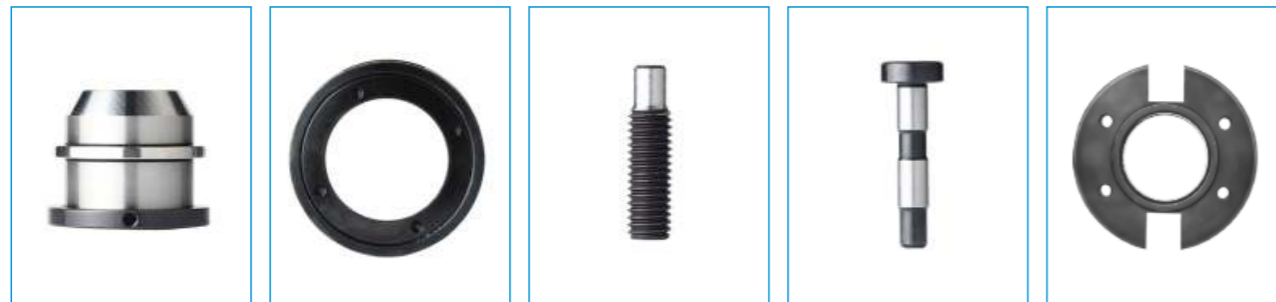


Collet adapter



Citizen outlet water pressure knife block

MYLAS Machine automatic lathe parts



1017+101 Pulley (gyro) 1019+1020 Bearing shell nut 1022 Fixing screws 102 Clutch pin 1027 Clutch seat nut



1028 Clutch mount 1031 Fixed pin 2002 Steel sleeve 2003 Resistance arm shaft 2012 Fixing screws



2022b Double mandrel copper sleeve 2022 Double heart seat copper sleeve 2023b1 Drilling shaft copper sleeve 2023b2 Drilling shaft copper sleeve 2023 Drilling shaft copper sleeve

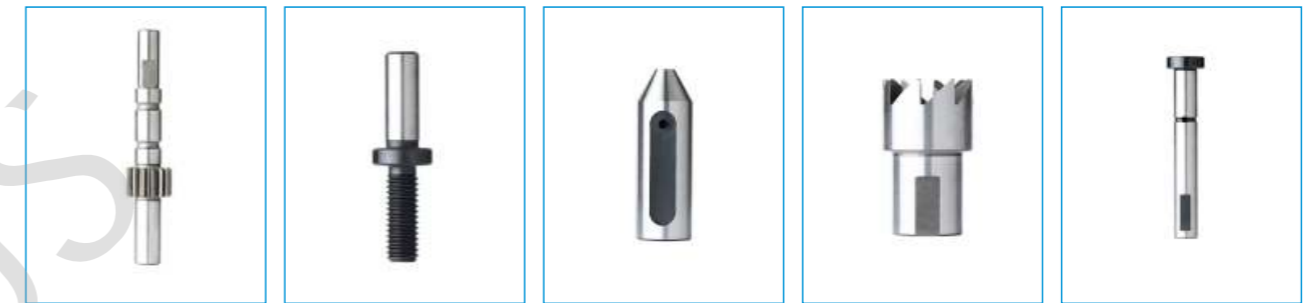


2037 Lower gear 2040 Intermediate gear 2042 Tapping tooth wheel 2047 Fixing screws 2057 Fixed nut

MYLAS Machine automatic lathe parts



2058 Drilling shaft nut 3002 Copper sleeve 3006 Transmission gear 3009 Clutch gear 3010 Transmission gear



3011 Driving gear 3014 Adjusting screw 3016 Top heart 3027 Clutch gear 3030 Clutch fulcrum



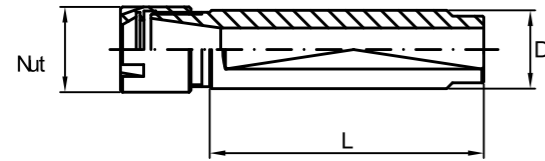
3032 Top heart 3044 Type s 5017 Traction block fixing screw 5019 Adjusting rod top shaft 5048 Drive arm shaft screw



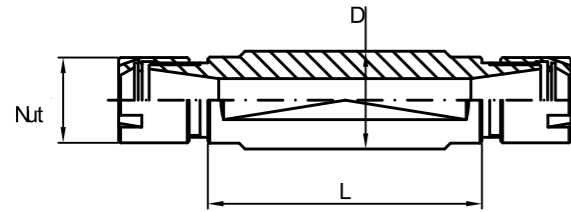
5069 Fixing screw 5075 Steel sleeve 5076 Rocker shaft 5077 Nut 6017 Fixing screws

CNC Extension rod

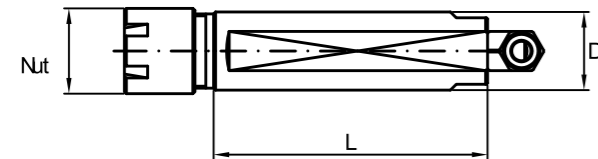
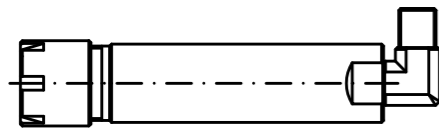
01 Drilling shaft(single)



02 Drilling shaft(double)



03 Drilling shaft(out of water)



CNC drilling shaft(single)	OD	L	ER	Nut	Numberingr
C16-ER16M-100(單頭)	16	100	16	M	1
C19.05-ER11A-40(單頭)	19.05	40	11	A	1
C19.05-ER11A-50(單頭)	19.05	50	11	A	1
C19.05-ER11A-70(單頭)	19.05	70	11	A	1
C19.05-ER11M-75(單頭)	19.05	75	11	M	1
C19.05-ER16M-40(單頭)	19.05	40	16	M	1
C19.05-ER16M-70(單頭)	19.05	70	16	M	1
C19.05-ER16M-75(單頭)	19.05	75	16	M	1
C19.05-ER16M-105(單頭)	19.05	105	16	M	1
C20-ER11A-50(單頭)	19.05	50	11	A	1
C20-ER11A-70(單頭)	19.05	70	11	A	1
C20-ER11A-95(單頭)	20	95	11	A	1
C20-ER11A-100(單頭)	20	100	11	A	1
C20-ER16M-40(單頭)	20	40	16	M	1
C20-ER16M-50(單頭)	20	50	16	M	1
C20-ER16M-93(單頭)	20	93	16	M	1
C22-ER16M-60(單頭)	22	60	16	M	1
C22-ER16M-100(單頭)	22	100	16	M	1
C25-ER16M-70(單頭)	25	70	16	M	1
C25.4-ER11M-75(單頭)	25.4	75	11	M	1
C25.4-ER16M-50(單頭)	25.4	50	16	M	1
C25.4-ER16M-70(單頭)	25.4	70	16	M	1
C25.4-ER16M-75(單頭)	25.4	75	16	M	1
C25.4-ER16M-105(單頭)	25.4	105	16	M	1
C25.4-ER20M-70(單頭)	25.4	70	20	M	1
C32-ER20M-95(單頭)	32	95	20	M	1

CNC drilling shaft(double)	OD	L	ER	Nut	Numberingr
C19.05-ER11A-38(雙頭)	19.05	38	11	A	2
C19.05-ER11A-50(雙頭)	19.05	50	11	A	2
C19.05-ER11M-70(雙頭)	19.05	70	11	M	2
C19.05-ER11M-75(雙頭)	19.05	75	11	M	2
C20-ER11A-38(雙頭)	20	38	11	A	2
C20-ER11A-50(雙頭)	20	50	11	A	2
C20-ER11A-70(雙頭)	20	70	11	A	2
C22-ER16M-60(雙頭)	22	60	16	M	2
C22-ER16M-75(雙頭)	22	75	16	M	2
C22-ER16M-90(雙頭)	22	90	16	M	2
C22-ER16M-95(雙頭)	22	95	16	M	2
C25-ER16M-70(雙頭)	25	70	16	M	2
C25.4-ER16M-50(雙頭)	25.4	50	16	M	2
C25.4-ER16M-70(雙頭)	25.4	70	16	M	2

CNC drilling shaft(out of water)	OD	L	ER	Nut	Numberingr
C25-ER16M-70(單頭)P/T	25	70	16	M	3
C25-ER16M-100(單頭)P/T	25	100	16	M	3
C25-ER20A-55(單頭)P/T	25	55	20	A	3
C25-ER20A-100(單頭)P/T	25	100	20	A	3

ER Collet



ER8		ER11		ER16	
Size	Range	Size	Range	Size	Range
1	0.5~1	1	0.5~1	1	0.5~1
1.5	1~1.5	1.5	1~1.5	1.5	1~1.5
2	1.5~2	2	1.5~2	2	1.5~2
2.5	2~2.5	2.5	2~2.5	2.5	2~2.5
3	2.5~3	3	2.5~3	3	2~3
3.175	2.675~3.175	3.175	2.675~3.175	3.175	2.675~3.175
3.5	3~3.5	3.5	3~3.5	3.5	2.5~3.5
4	3.5~4	4	3.5~4	4	3~4
4.5	4~4.5	4.5	4~4.5	4.5	3.5~4.5
5	4.5~5	5	4.5~5	5	4~5
		5.5	5~5.5	5.5	4.5~5.5
		6	5.5~6	6	5~6
		6.5	6~6.5	6.5	5.5~6.5
		7	6.5~7	7	6~7
				7.5	6.5~7.5
				8	7~8
				8.5	7.5~8.5
				9	8~9
				9.5	8.5~9.5
				10	9~10

ER20		ER25		ER32	
Size	Range	Size	Range	Size	Range
1	0.5~1	1	0.5~1	1	0.5~1
1.5	1~1.5	1.5	1~1.5	1.5	1~1.5
2	1.5~2	2	1.5~2	2	1.5~2
2.5	2~2.5	2.5	2~2.5	2.5	2~2.5
3	2.5~3	3	2.5~3	3	2.5~3
3.175	2.675~3.175	3.175	2.675~3.175	3.175	2.675~3.175
3.5	3~3.5	3.5	3~3.5	3.5	3~3.5
4	3.5~4	4	3.5~4	4	3.5~4
4.5	4~4.5	4.5	4~4.5	4.5	4~4.5
5	4.5~5	5	4.5~5	5	4.5~5
5.5	5~5.5	5.5	5~5.5	5.5	5~5.5
6	5.5~6	6	5.5~6	6	5.5~6
6.5	6~6.5	6.5	6~6.5	6.5	6~6.5
7	6.5~7	7	6.5~7	7	6.5~7
7.5	6.5~7.5	7.5	6.5~7.5	7.5	6.5~7.5
8	7~8	8	7~8	8	7~8
8.5	7.5~8.5	8.5	7.5~8.5	8.5	7.5~8.5
9	8~9	9	8~9	9	8~9
9.5	8.5~9.5	9.5	8.5~9.5	9.5	8.5~9.5
10	9~10	10	9~10	10	9~10
10.5	9.5~10.5	10.5	9.5~10.5	10.5	9.5~10.5
11	10~11	11	10~11	11	10~11
11.5	10.5~11.5	11.5	10.5~11.5	11.5	10.5~11.5
12	11~12	12	11~12	12	11~12
12.5	11.5~12.5	12.5	11.5~12.5	12.5	11.5~12.5
13	12~13	13	12~13	13	12~13
		13.5	12.5~13.5	13.5	12.5~13.5
		14	13~14	14	13~14
		14.5	13.5~14.5	14.5	13.5~14.5
		15	14~15	15	14~15
		15.5	14.5~15.5	15.5	14.5~15.5
		16	15~16	16	15~16
				16.5	15.5~16.5
				17	16~17
				17.5	16.5~17.5
				18	17~18
				18.5	17.5~18.5
				19	18~19
				19.5	18.5~19.5
				20	19~20

/ Features

- (Inner hole fine grinding)
- (Eight full grooves in the front and eight in the back, with a large shrinkage clamping range)
- (Concentric accuracy): 5µm(0.005mm)、8µm(0.008mm)

SK Collet



SK6		SK10		SK13		SK16	
尺寸 Size	範圍 Range	尺寸 Size	範圍 Range	尺寸 Size	範圍 Range	尺寸 Size	範圍 Range
3	2.75~3	3	2.75~3	3	2.75~3	3	2.75~3
3.175	2.925~3.175	3.175	2.925~3.175	3.175	2.925~3.175	3.175	2.925~3.175
4	3.5~4	4	3.5~4	4	3.5~4	4	3.5~4
5	4.5~5	5	4.5~5	5	4.5~5	5	4.5~5
6	5.5~6	6	5.5~6	6	5.5~6	6	5.5~6
		8	7.5~8	8	7.5~8	8	7.5~8
		10	9.5~10	10	9.5~10	10	9.5~10
				12	11.5~12	12	11.5~12
						14	13.5~14
						16	15.5~16

特點 / Features

- (Concentric accuracy):5 μ m(0.005mm)、8 μ m(0.008mm)
- (Can hold drills, milling cutters, reamers)
- The tolerance of the shank diameter of the clamped tool is limited to within h7)
- 5mm(Elastic shrinkage 0.5mm above aperture 3)

Tapping collet



Model	Size	Kgs	Elastic shrinkage
ER16	3		
ER16	4		
ER16	5		
ER16	6		

/ Features

- (It can be directly installed with drilling shaft, without special tapping shaft)
- (The telescopic wire has a buffer, and the first tooth is not easy to rot.)
- (Tapping and retracting will not be affected by the speed and feed pitch)

Water stop collet



ER11		ER16		ER20		ER25		ER32	
Size	Range	Size	Range	Size	Range	Size	Range	Size	Range
3	2.5~3	3	2~3	3	2~3	3	2~3	3	2~3
4	3.5~4	4	3~4	4	3~4	4	3~4	4	3~4
5	4.5~5	5	4~5	5	4~5	5	4~5	5	4~5
6	5.5~6	6	5~6	6	5~6	6	5~6	6	5~6
7	6.5~7	7	6~7	7	6~7	7	6~7	7	6~7
		8	7~8	8	7~8	8	7~8	8	7~8
		9	8~9	9	8~9	9	8~9	9	8~9
		10	9~10	10	9~10	10	9~10	10	9~10
				11	10~11	11	10~11	11	10~11
				12	11~12	12	11~12	12	11~12
				13	12~13	13	12~13	13	12~13
						14	13~14	14	13~14
						15	14~15	15	14~15
						16	15~16	16	15~16
								17	16~17
								18	17~18
								19	18~19
								20	19~20